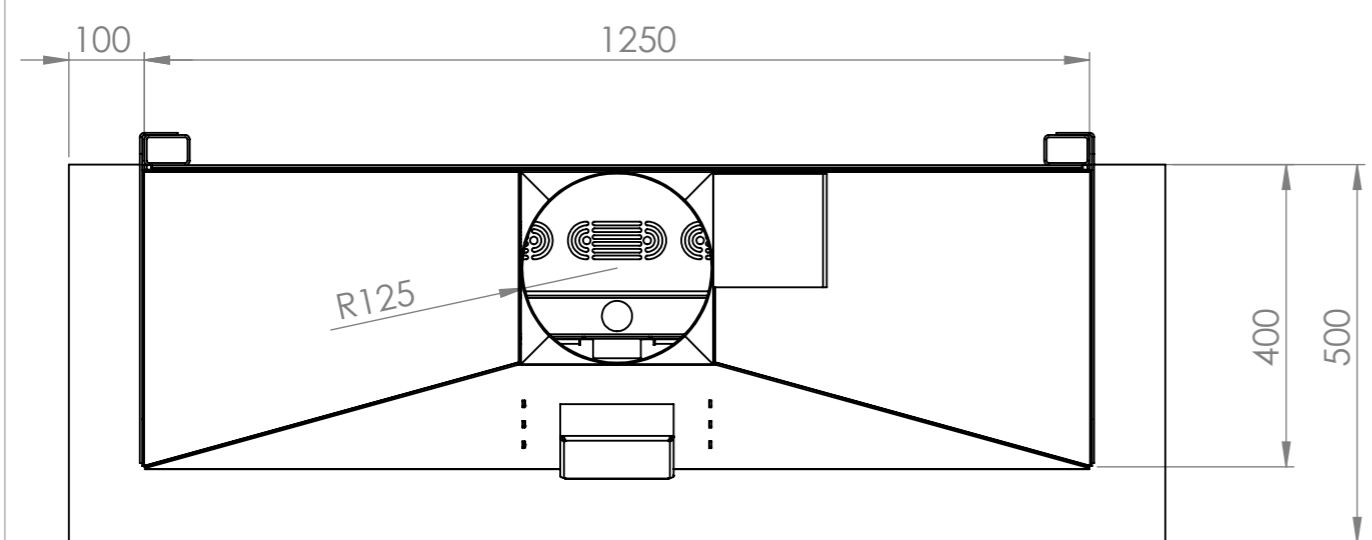
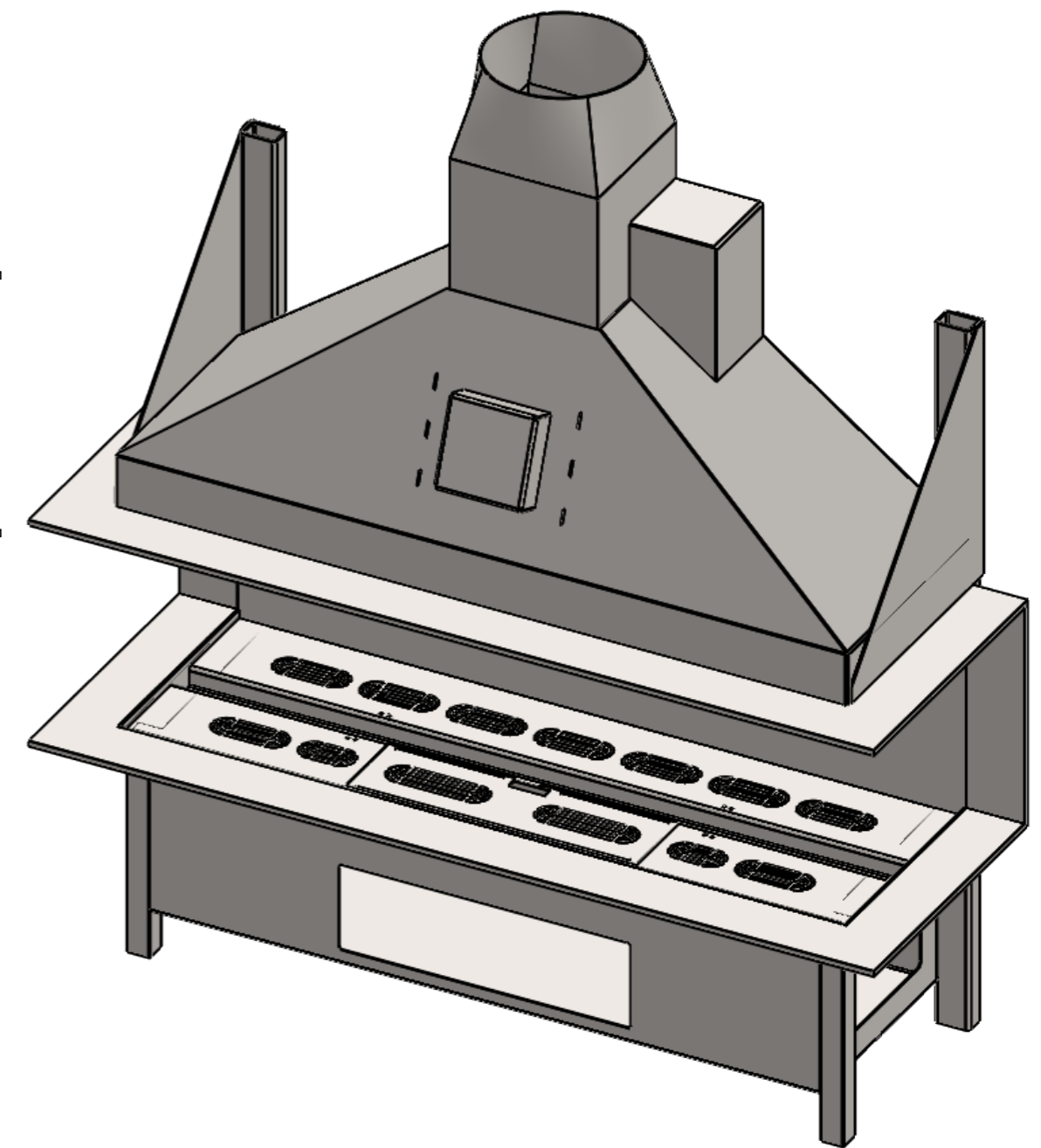
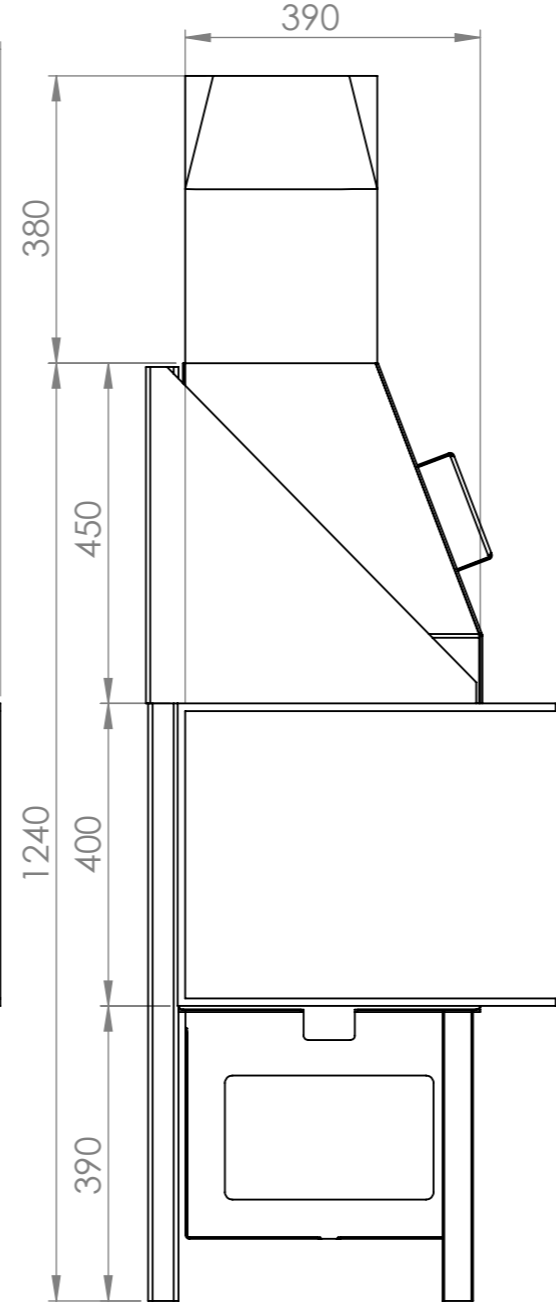
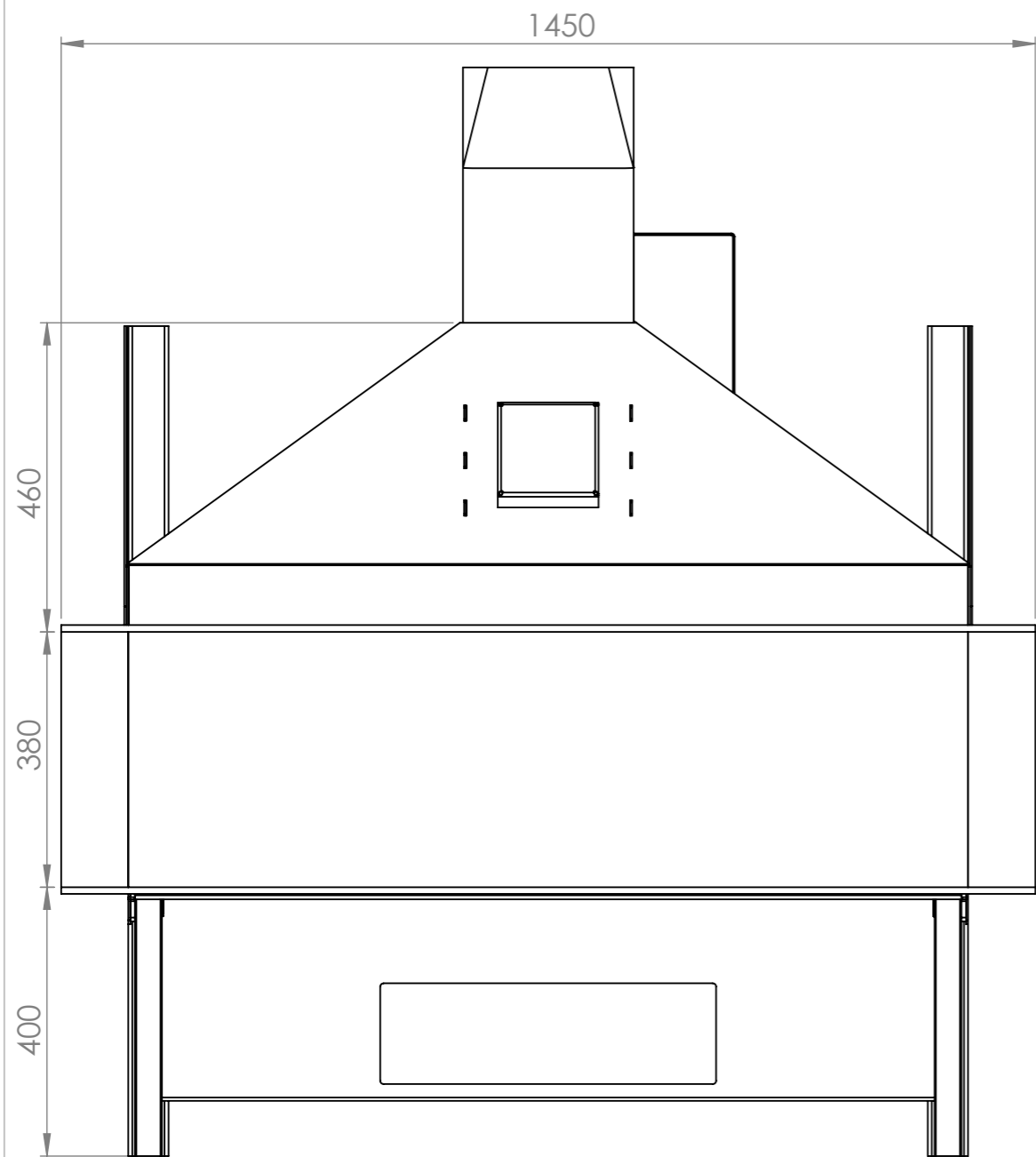


CLIENT				PROJECT Nippon G0 Panoramic Slim frame 100/10		ALL RIGHTS RESERVED AND COPYRIGHTS BY <b>VERO</b> Vero Design Zagerijstraat 23 DESIGN B-2960 Sint-Job	
	NAME	DATE	SIGN	PART NUMBER NIPPON-G0H2		UNLESS OTHERWISE SPECIFIED: DIMENSIONS ARE IN MILLIMETERS TOLERANCES: ISO 2768 m K	DEBURR AND BREAK SHARP EDGES
DRAWN		11/02/2020		MATERIAL:			
CHK'D				WEIGHT:			<b>A3</b> SCALE:1:10
APPV'D				FINISH:			
						DO NOT SCALE DRAWING	SHEET 1 OF 1



CLIENT		PROJECT	Nippon G1 Panoramic Slim frame 100/10
DRAWN		DATE	11/02/2020
CHK'D		SIGN	
APPV'D		PART NUMBER	NIPPON-G1H2
		MATERIAL:	
		WEIGHT:	
		FINISH:	

UNLESS OTHERWISE SPECIFIED: DIMENSIONS ARE IN MILLIMETERS TOLERANCES: ISO 2768 m K	
--	--

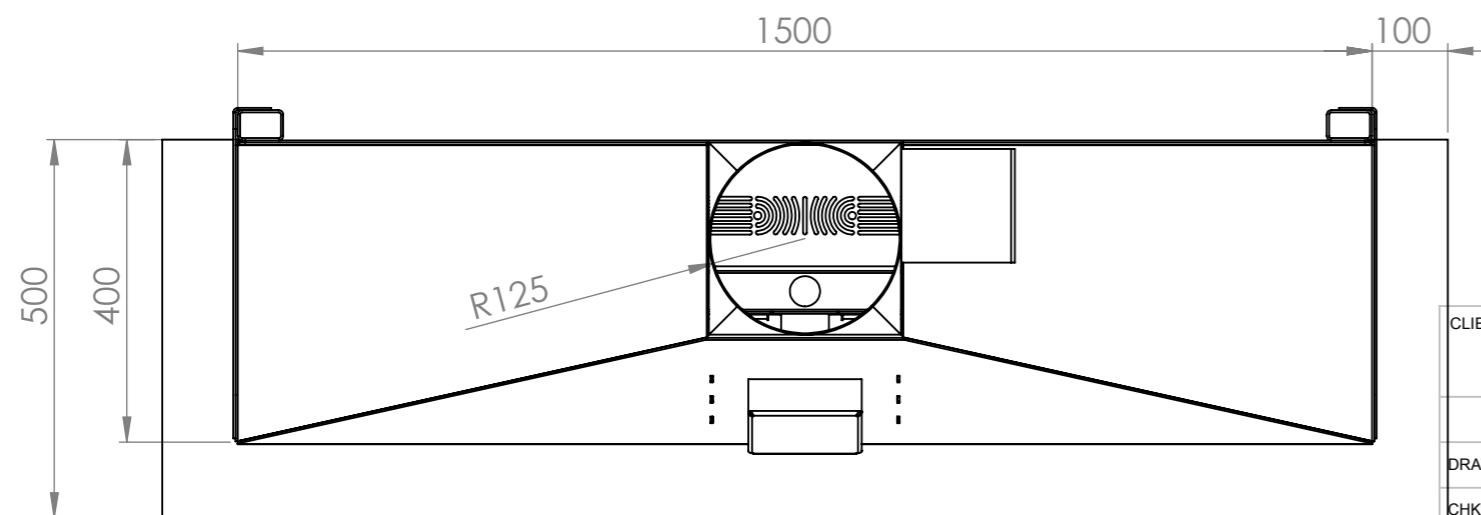
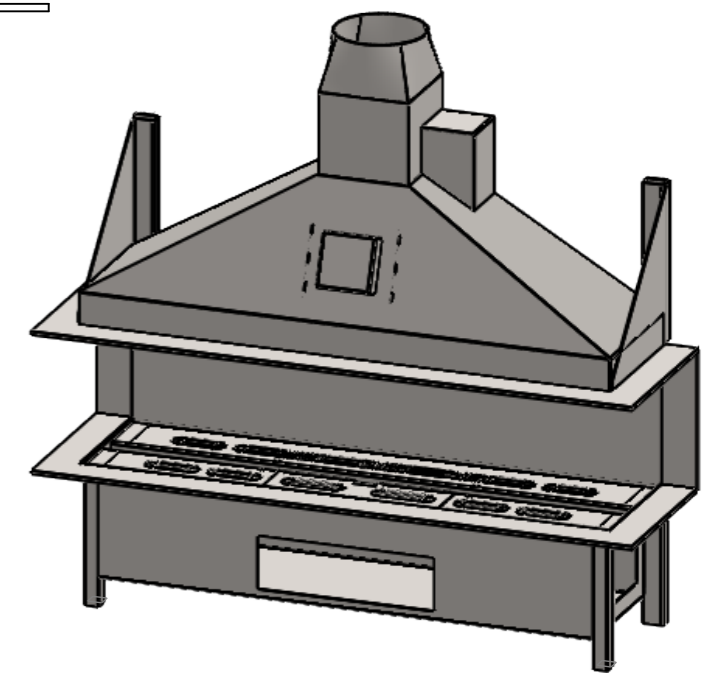
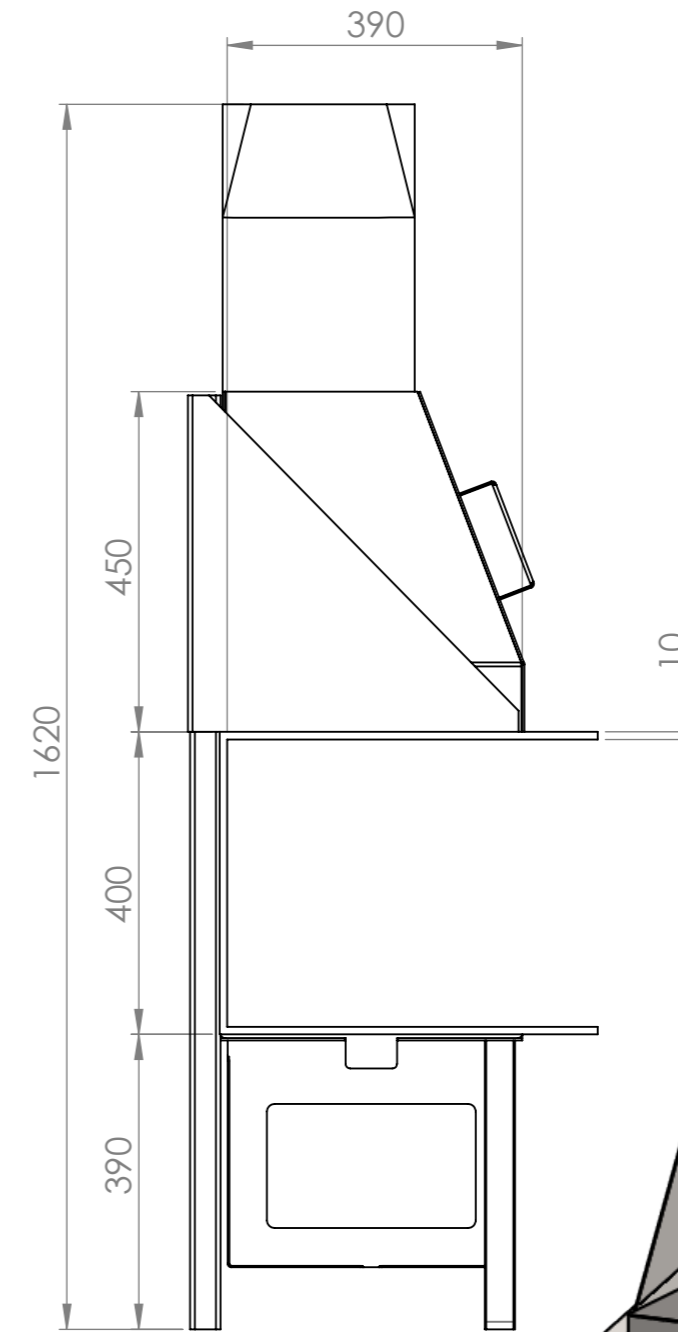
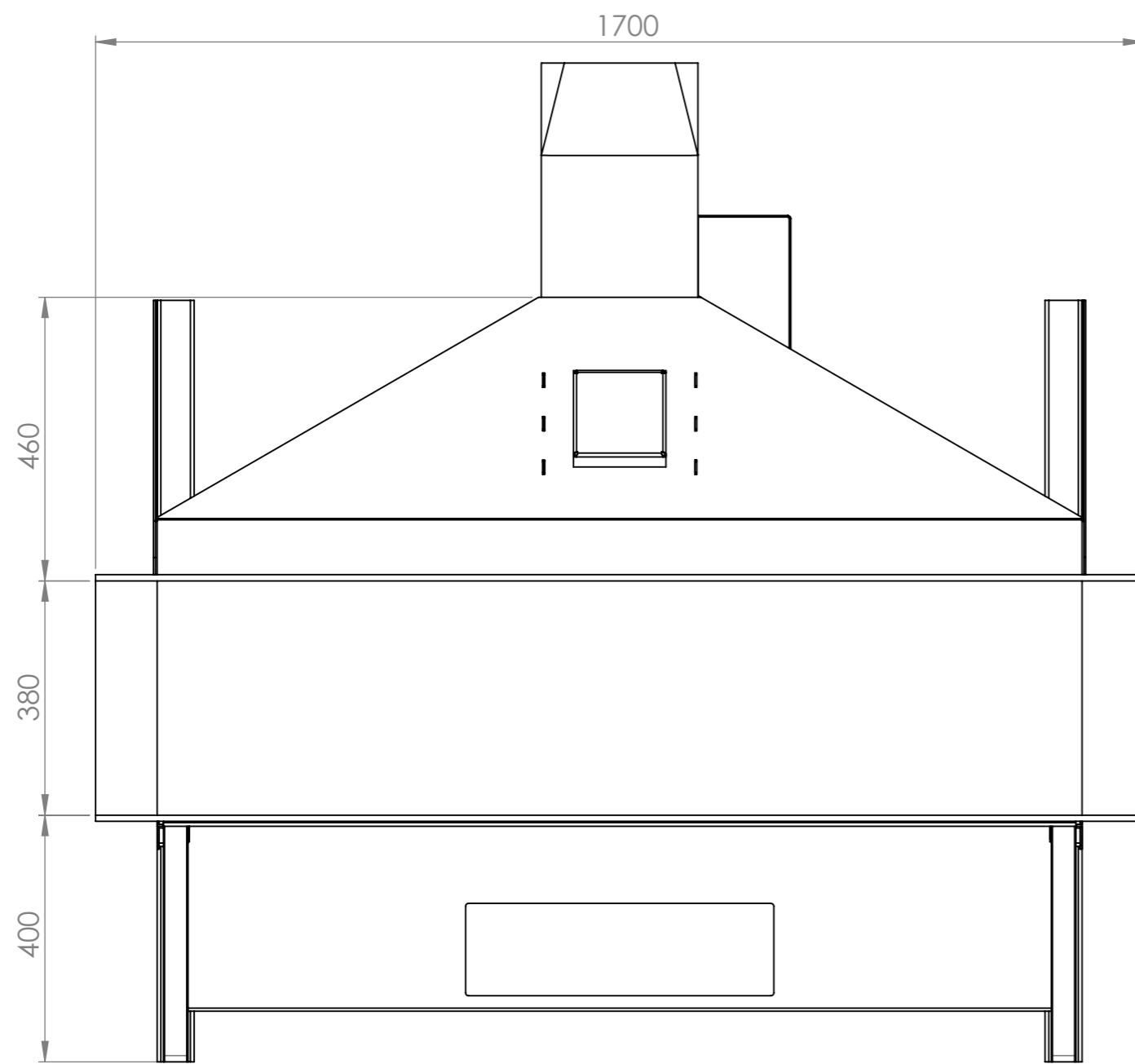
ALL RIGHTS RESERVED AND COPYRIGHTS BY


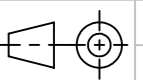
**VERO DESIGN** Vero Design  
Zagerijstraat 23  
B-2960 Sint-Job

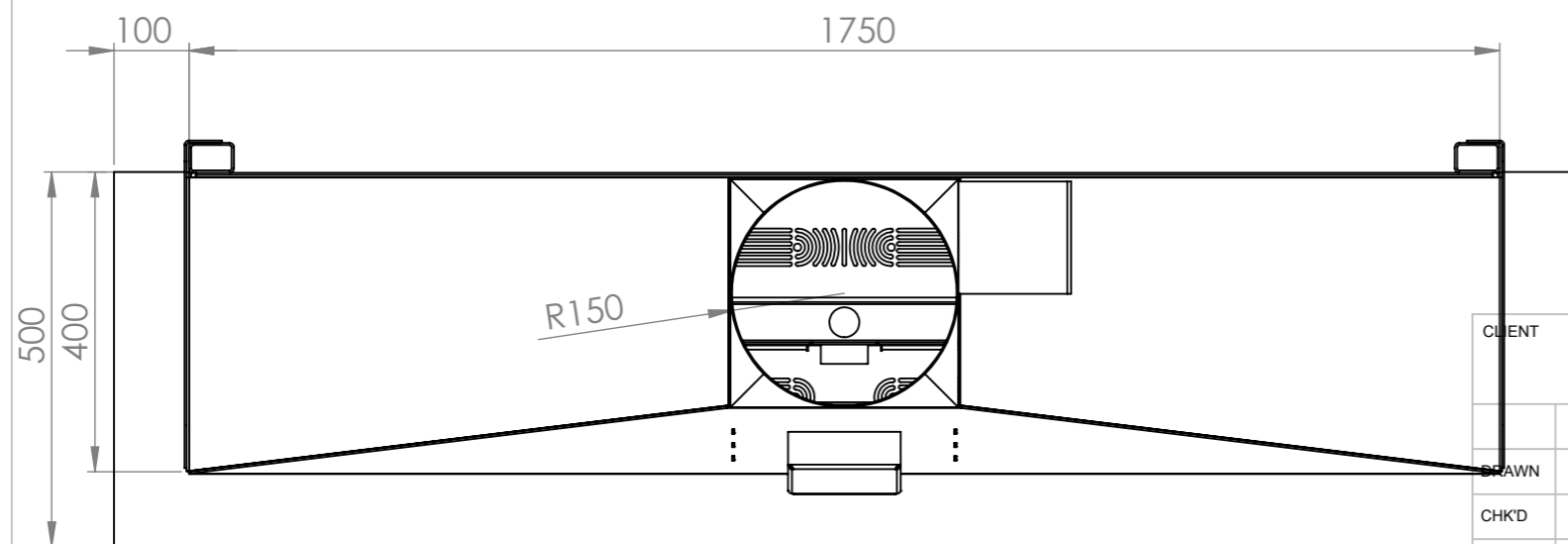
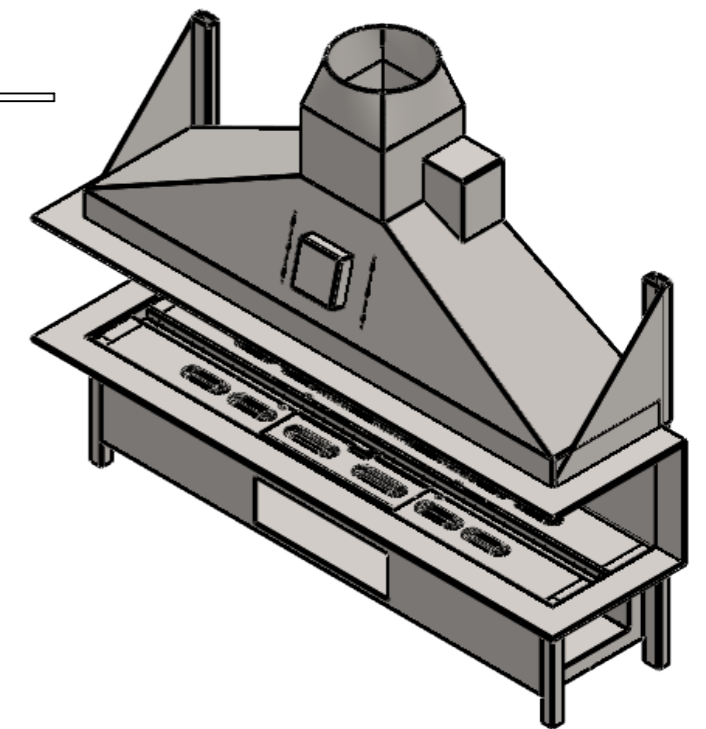
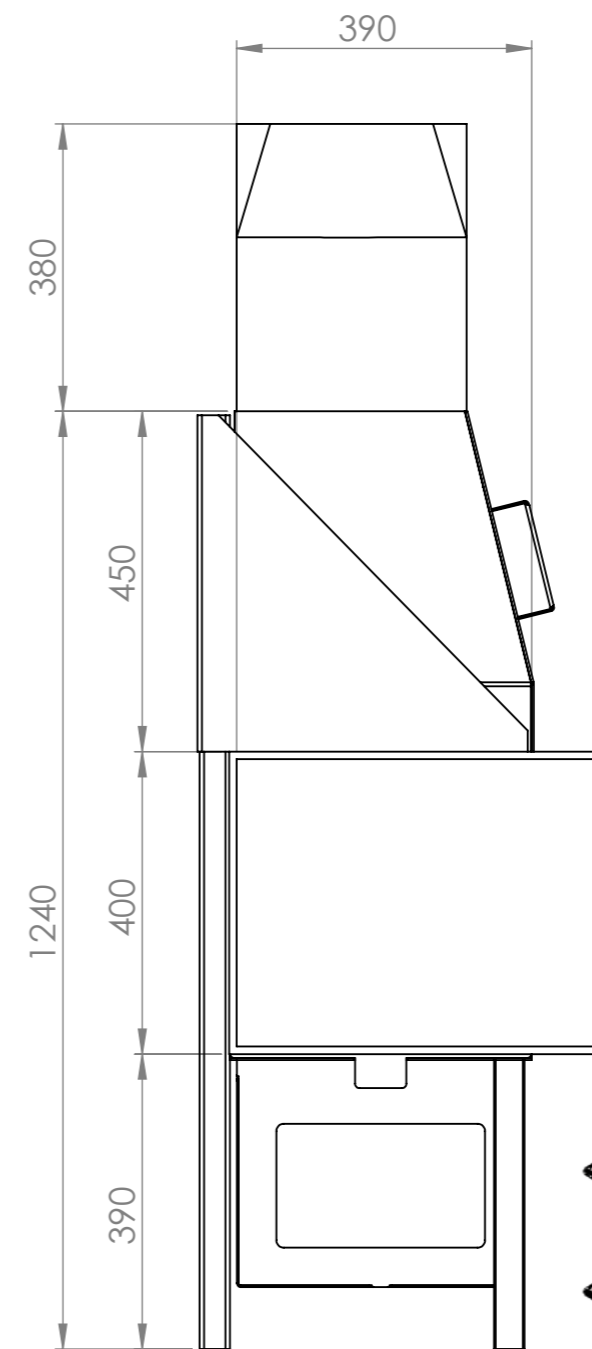
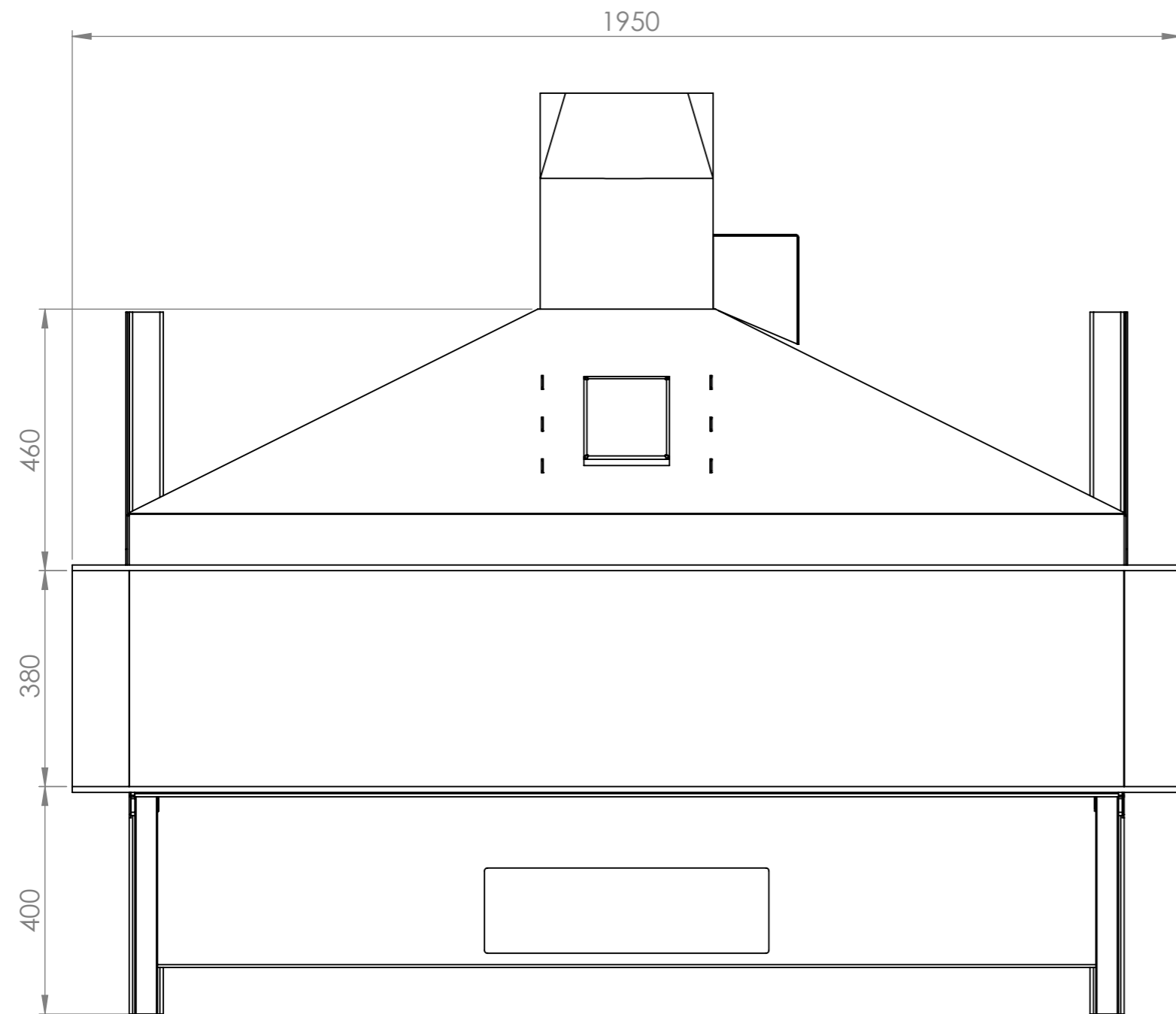
DEBURR AND BREAK SHARP EDGES




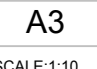
DO NOT SCALE DRAWING

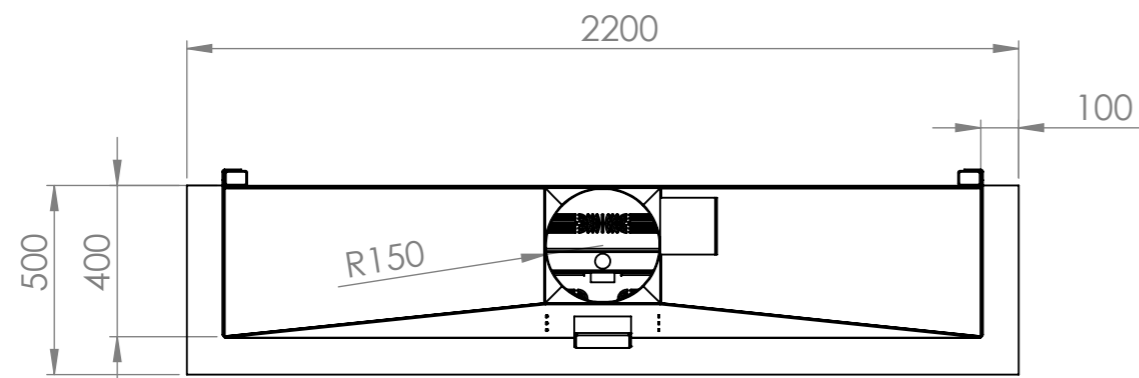
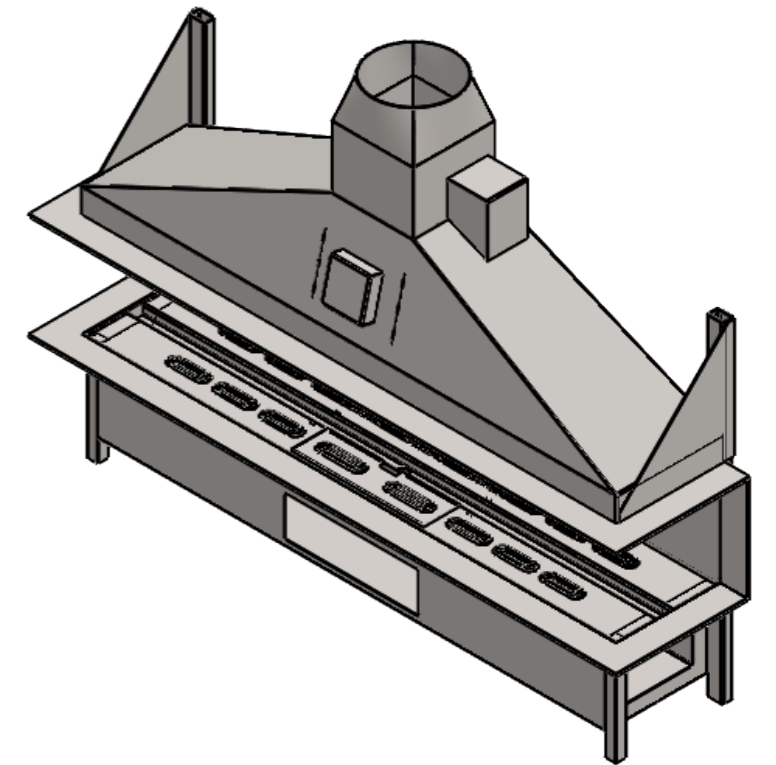
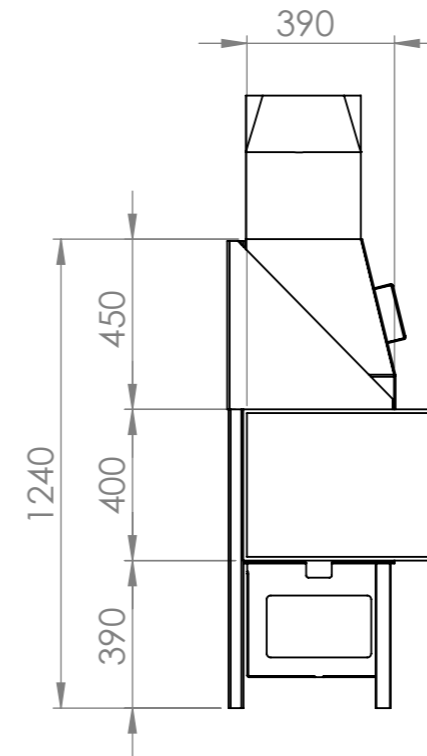
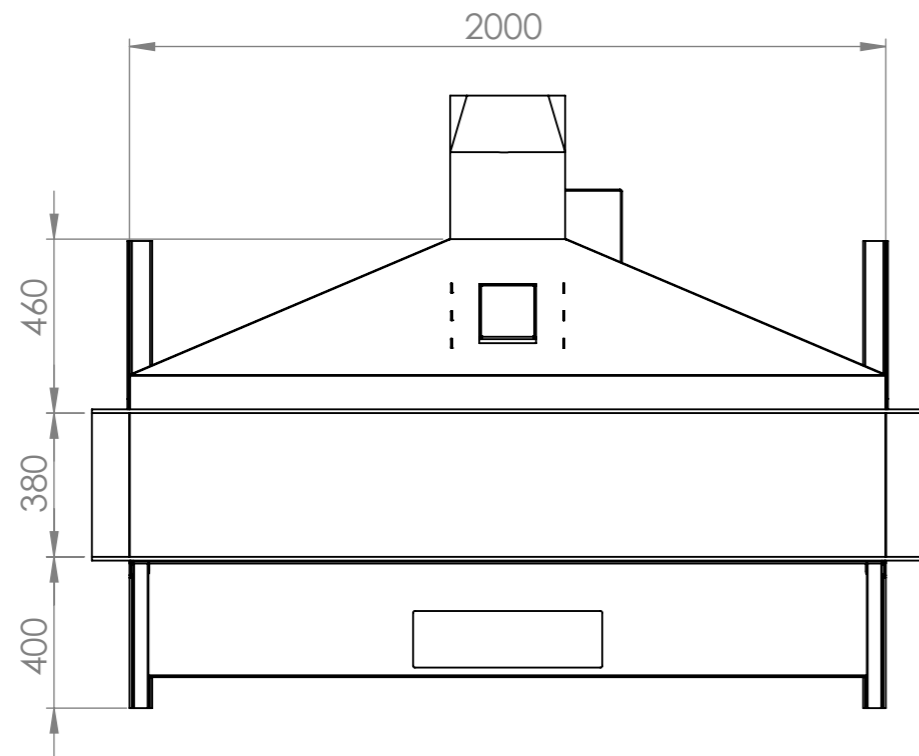
A3  
SCALE:1:10  
SHEET 1 OF 1



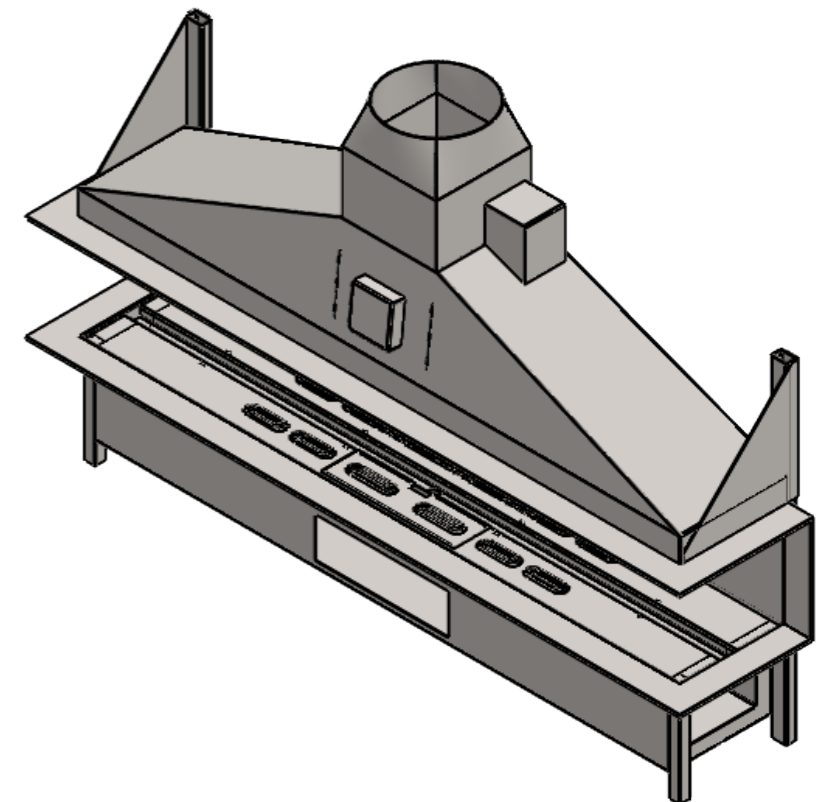
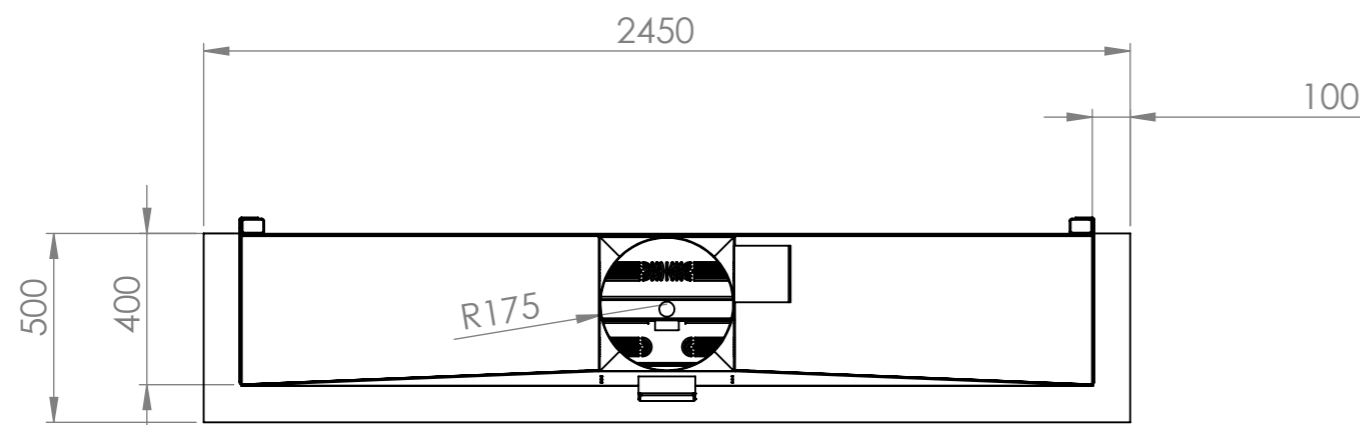
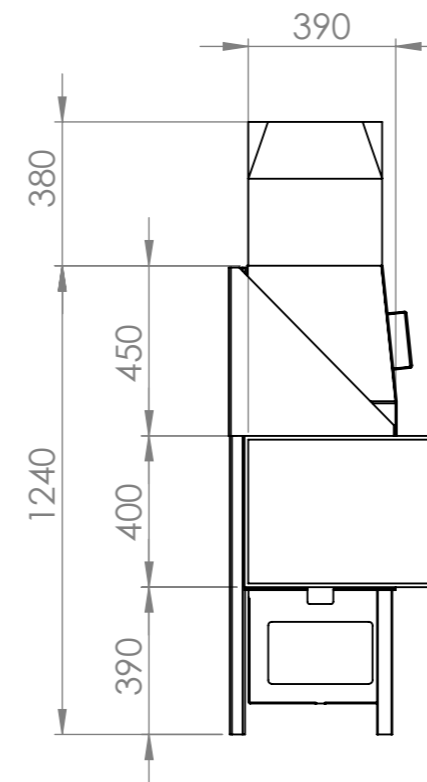
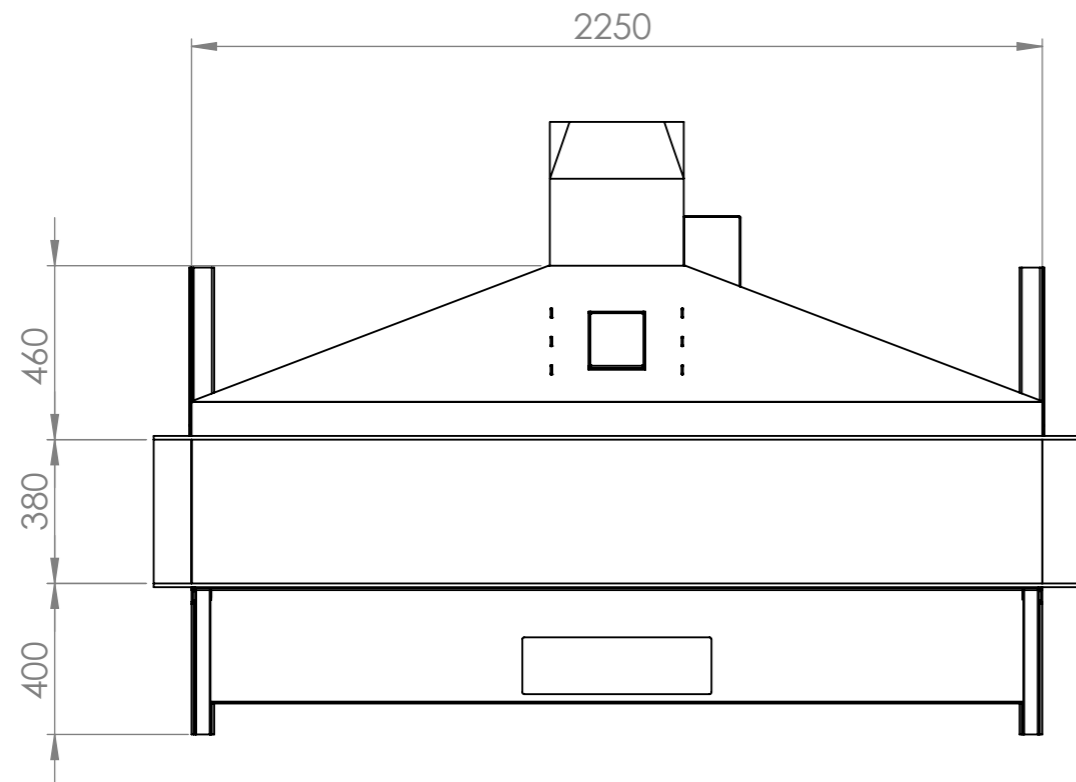
CLIENT				PROJECT Nippon G 2 H2 - Panoramisch Lijnbrander - Slim frame 100/10 Schouw 250		ALL RIGHTS RESERVED AND COPYRIGHTS BY	
				PART NUMBER NIPPON-G2H2		 <b>Vero Design</b> Zagerijstraat 23 B-2960 Sint-Job	
DRAWN	NAME	DATE 18/07/2019	SIGN	MATERIAL:		UNLESS OTHERWISE SPECIFIED: DIMENSIONS ARE IN MILLIMETERS TOLERANCES: ISO 2768 m K	DEBURR AND BREAK SHARP EDGES
CHK'D				WEIGHT:			
APPV'D				FINISH:			
						 <b>A3</b> SCALE: 1:10 DO NOT SCALE DRAWING SHEET 1 OF 1	



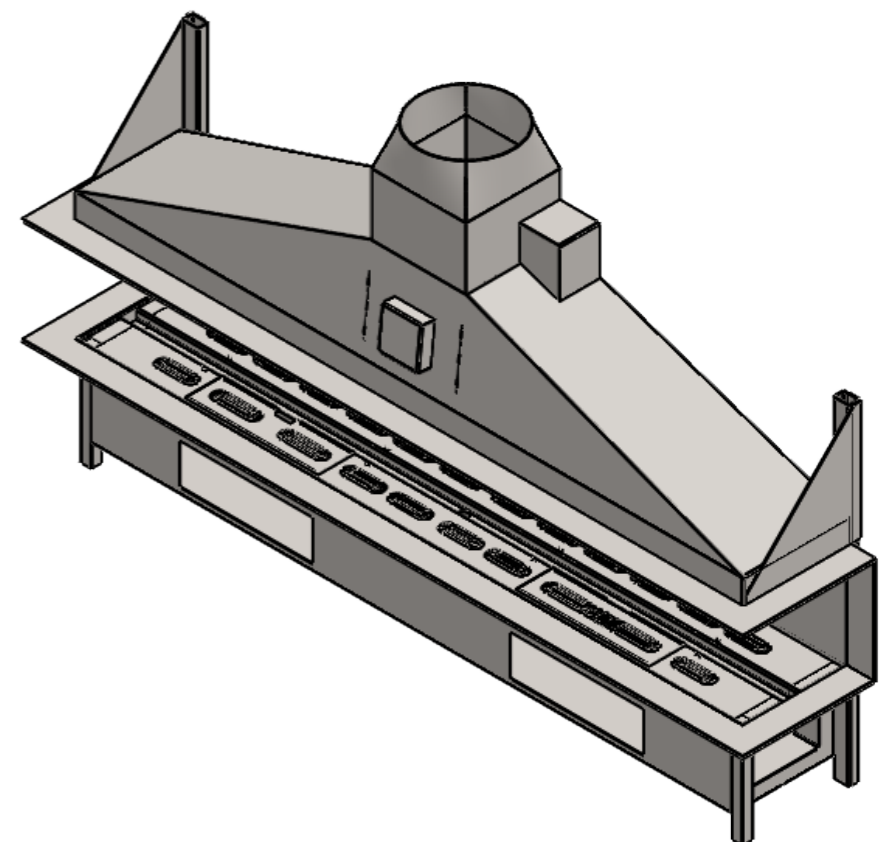
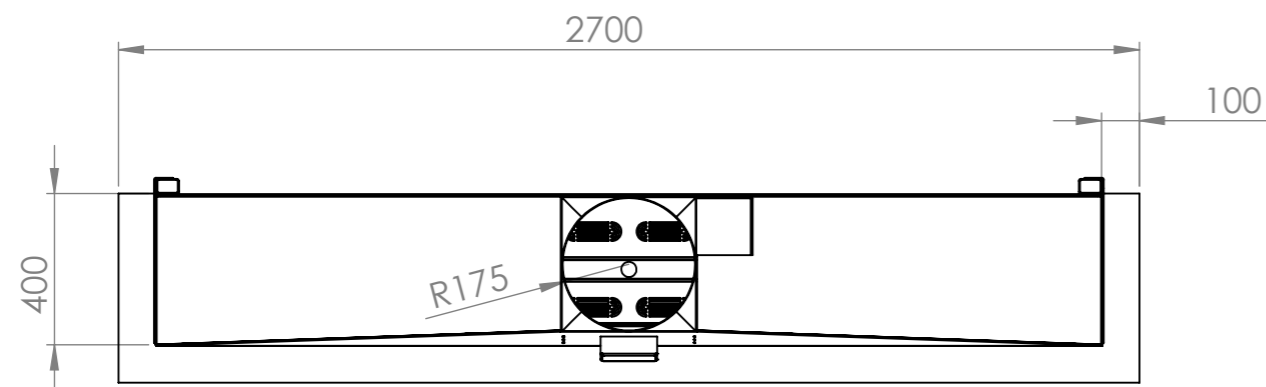
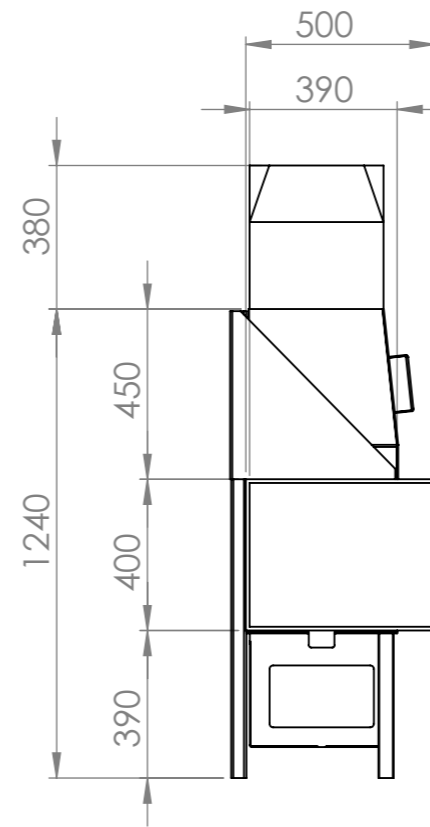
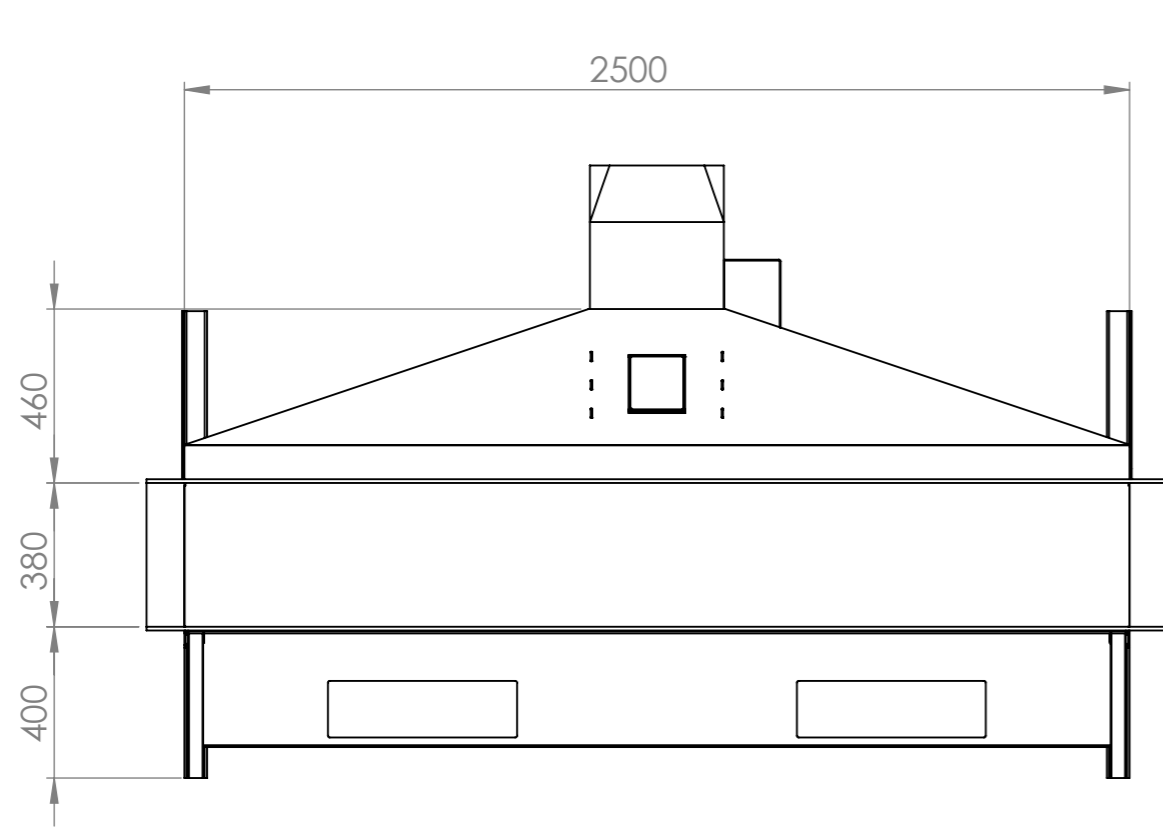
CLIENT			PROJECT		ALL RIGHTS RESERVED AND COPYRIGHTS BY	
			Nippon G3 Panoramic Slim frame 100/10		 <b>Vero Design</b> Zagerijstraat 23 B-2960 Sint-Job	
DRAWN			PART NUMBER			
			NIPPON-G3H2			
CHK'D			MATERIAL:		UNLESS OTHERWISE SPECIFIED: DIMENSIONS ARE IN MILLIMETERS TOLERANCES: ISO 2768 m K	
APPV'D			WEIGHT:		 <b>A3</b> SCALE:1:10	
			FINISH:		DO NOT SCALE DRAWING SHEET 1 OF 1	



CLIENT				PROJECT Nippon G3 Panoramic Slim frame 100/10		ALL RIGHTS RESERVED AND COPYRIGHTS BY <b>VERO</b> Vero Design Zagerijstraat 23 B-2960 Sint-Job	
DRAWN		DATE 12/02/2020	SIGN	PART NUMBER NIPPON-G4H2		UNLESS OTHERWISE SPECIFIED: DIMENSIONS ARE IN MILLIMETERS TOLERANCES: ISO 2768 m K	
CHK'D				MATERIAL:		DEBURR AND BREAK SHARP EDGES	
APPV'D				WEIGHT:			
				FINISH:		<b>A3</b> SCALE:1:20 DO NOT SCALE DRAWING SHEET 1 OF 1	

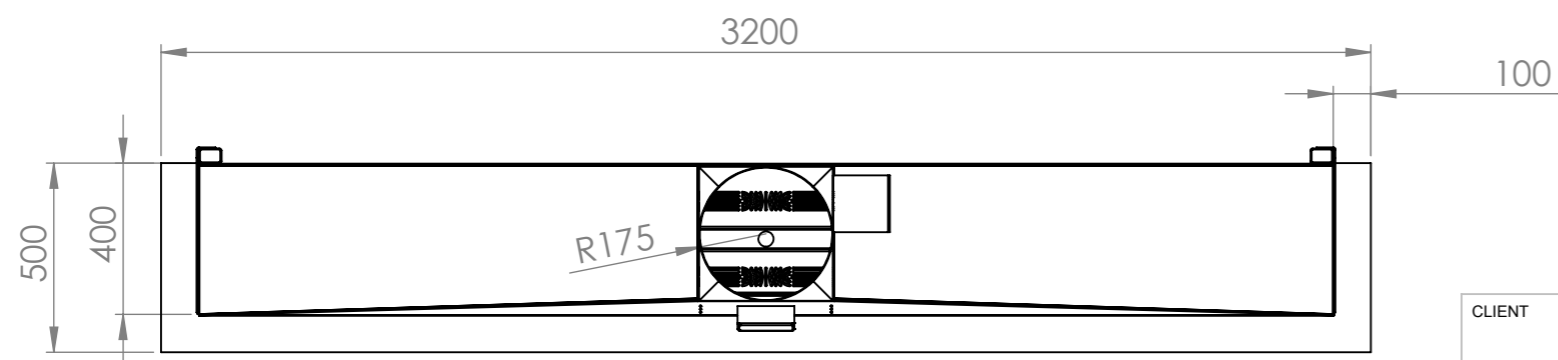
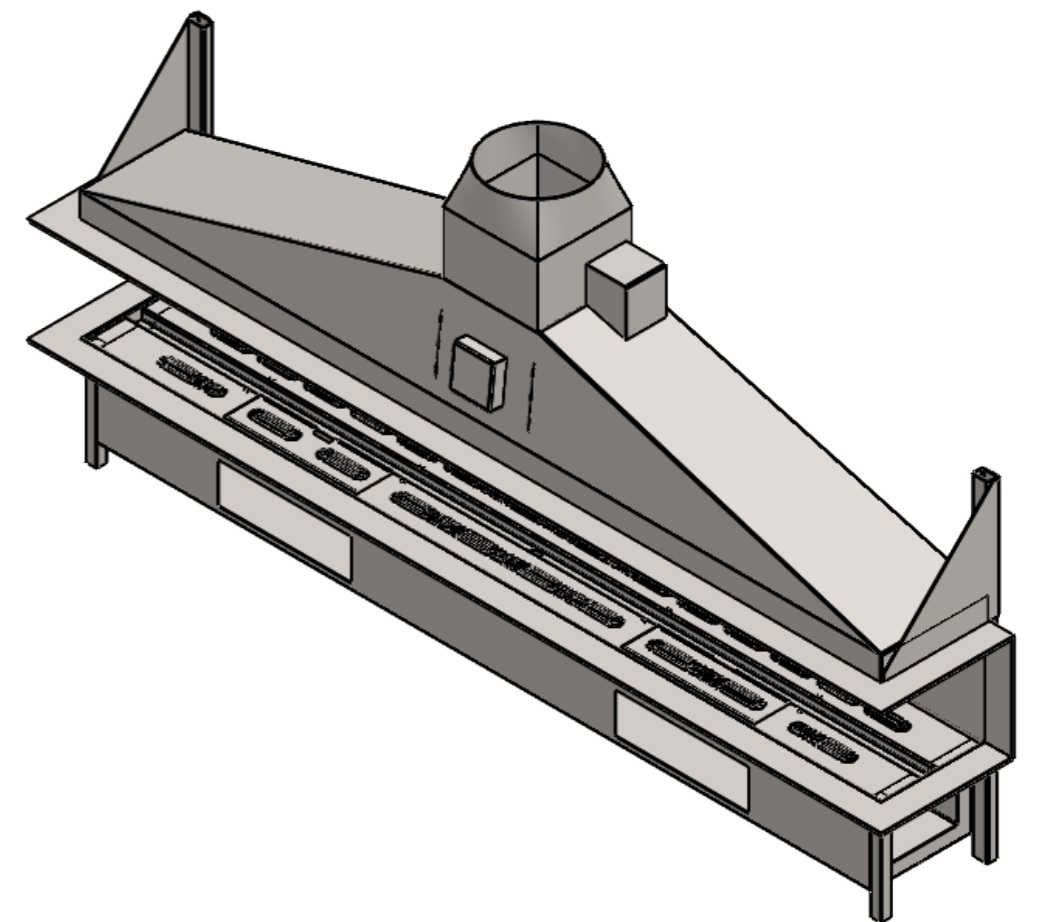
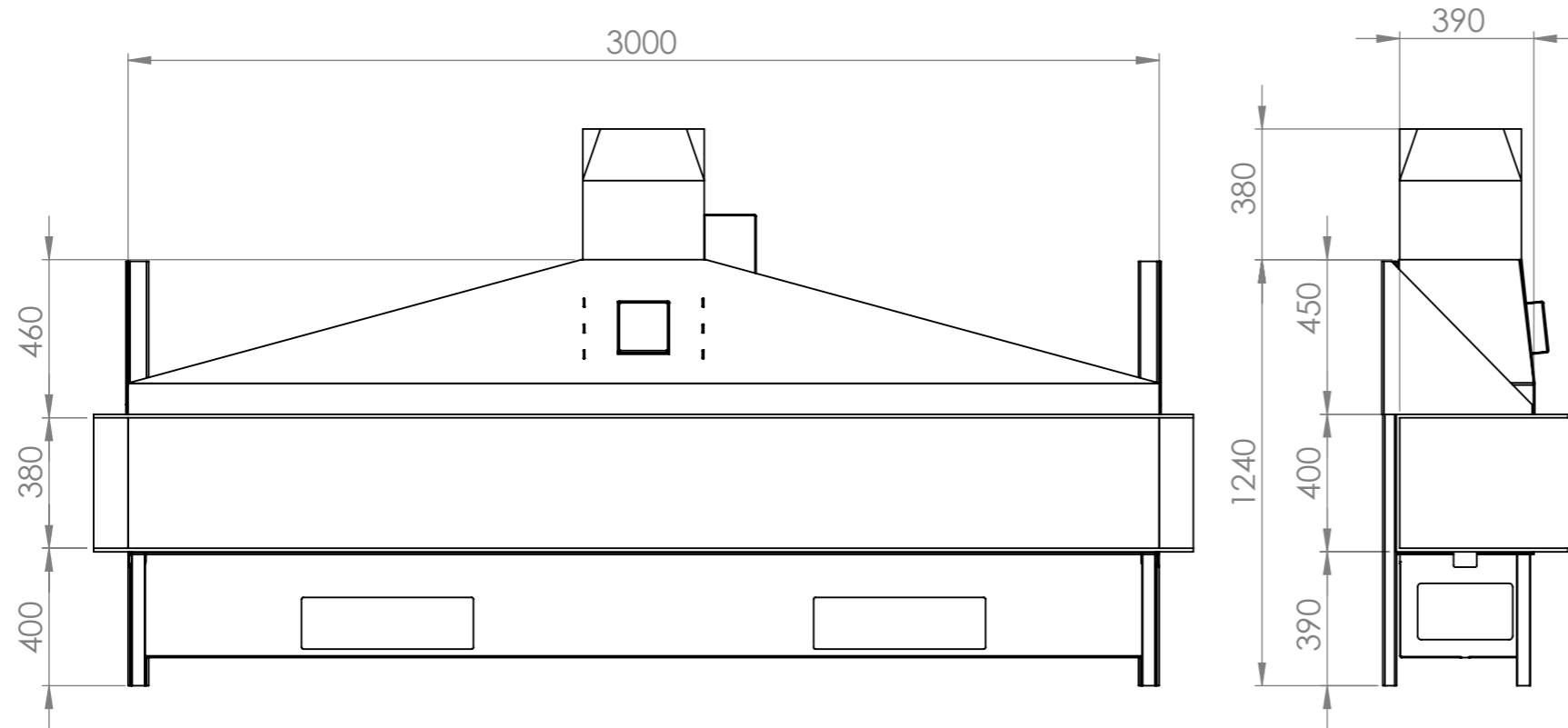


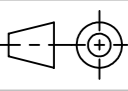
CLIENT				PROJECT Nippon G5 Panoramic Slim frame 100/10		ALL RIGHTS RESERVED AND COPYRIGHTS BY <b>VERO DESIGN</b> Vero Design Zagerijstraat 23 B-2960 Sint-Job	
DRAWN		NAME	DATE 12/02/2020	SIGN	PART NUMBER NIPPON-G5H2		UNLESS OTHERWISE SPECIFIED: DIMENSIONS ARE IN MILLIMETERS TOLERANCES: ISO 2768 m K
CHK'D				MATERIAL:		DEBURR AND BREAK SHARP EDGES	
APPV'D				WEIGHT:			A3 SCALE:1:20
				FINISH:			DO NOT SCALE DRAWING



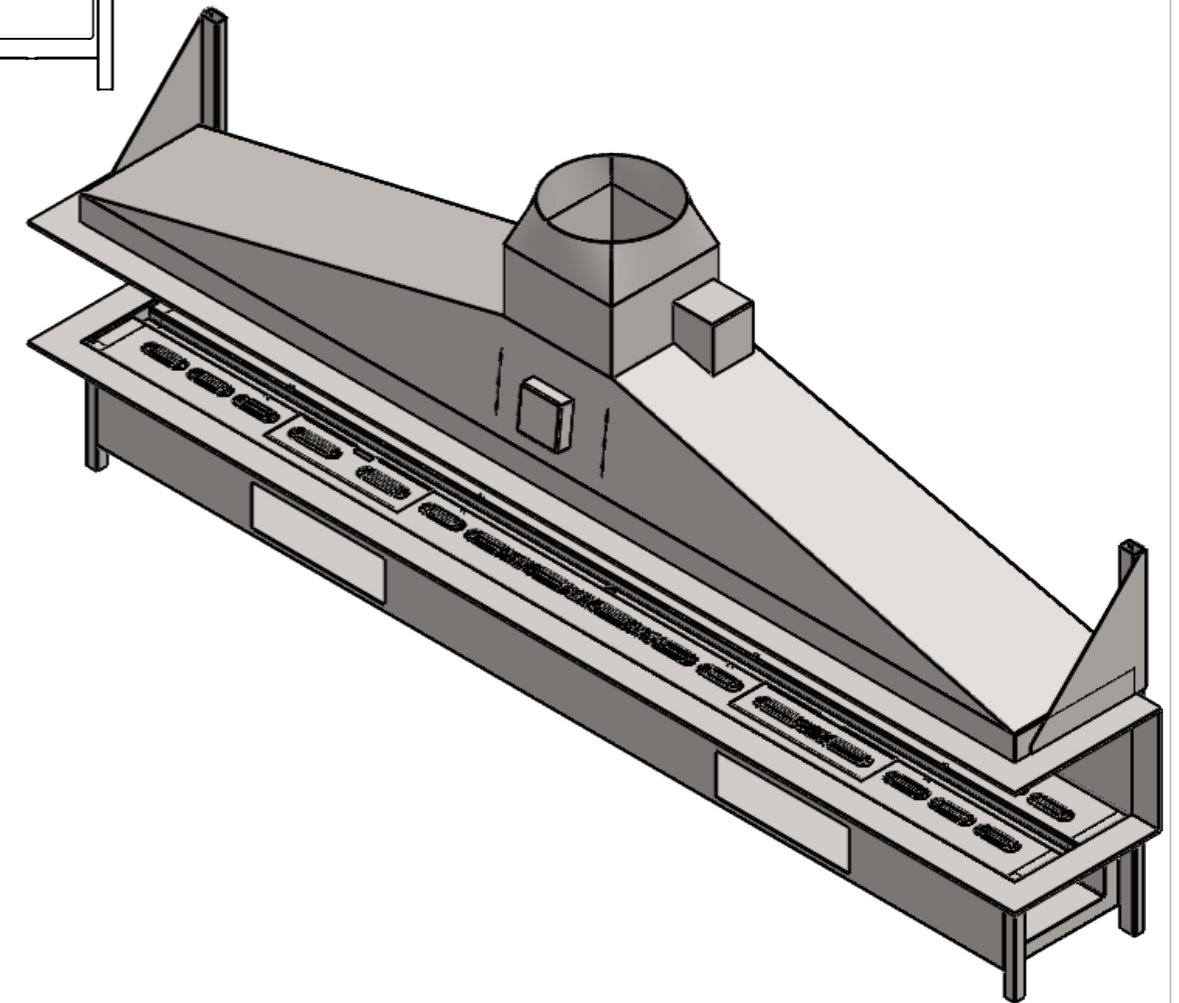
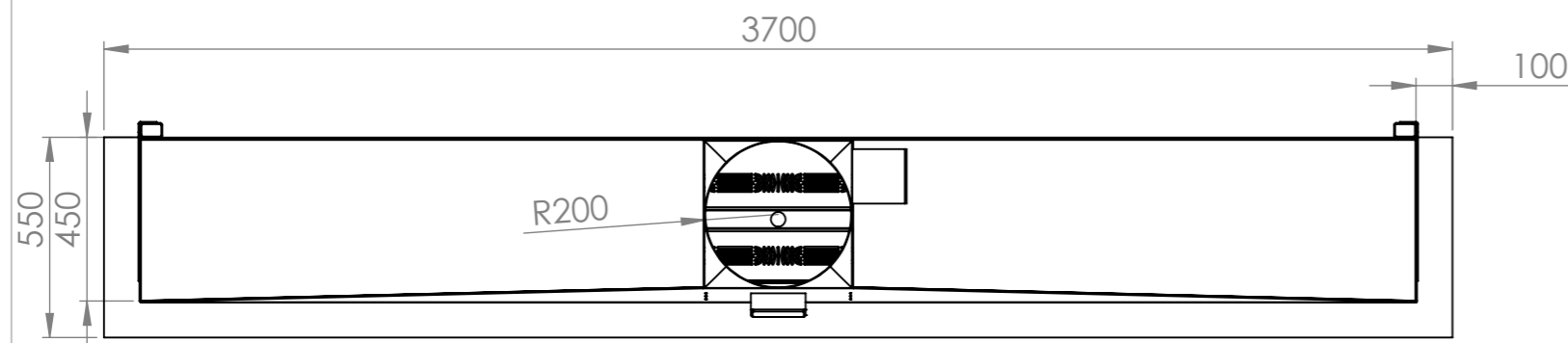
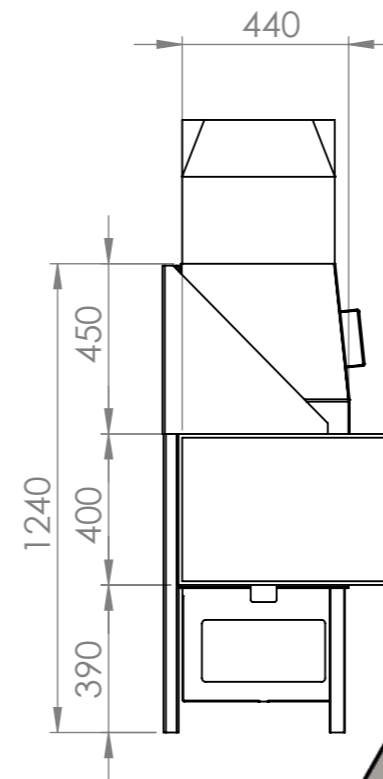
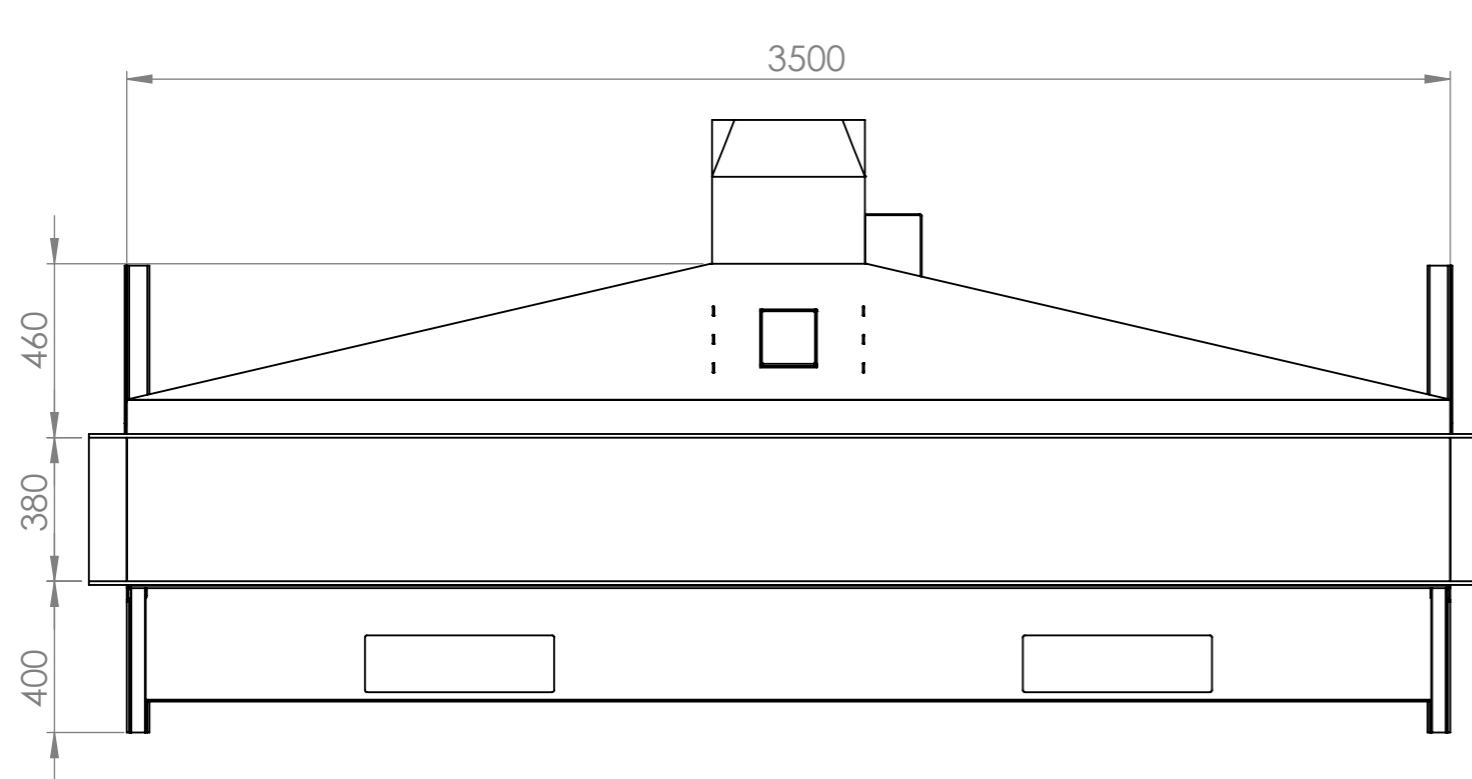
CLIENT				PROJECT Nippon G6 Panoramic Slim frame 100/10		ALL RIGHTS RESERVED AND COPYRIGHTS BY <b>VERO DESIGN</b> Vero Design Zagerijstraat 23 B-2960 Sint-Job	
	NAME	DATE	SIGN	PART NUMBER NIPPON-G6H2		UNLESS OTHERWISE SPECIFIED: DIMENSIONS ARE IN MILLIMETERS TOLERANCES: ISO 2768 m K	DEBURR AND BREAK SHARP EDGES
DRAWN		12/02/2020					
CHK'D				MATERIAL:			<b>A3</b> SCALE: 1:20 SHEET 1 OF 1
APPV'D			WEIGHT:				
				FINISH:			
						DO NOT SCALE DRAWING	





CLIENT				PROJECT Nippon G7 Panoramic Slim frame 100/10		ALL RIGHTS RESERVED AND COPYRIGHTS BY <b>VERO DESIGN</b> Vero Design Zagerijstraat 23 B-2960 Sint-Job	
	NAME	DATE	SIGN	PART NUMBER NIPPON-G7H2		UNLESS OTHERWISE SPECIFIED: DIMENSIONS ARE IN MILLIMETERS TOLERANCES: ISO 2768 m K	DEBURR AND BREAK SHARP EDGES
DRAWN		12/02/2020		MATERIAL:			
CHK'D				WEIGHT:			
APPV'D				FINISH:		 SCALE: 1:20 SHEET 1 OF 1	
							DO NOT SCALE DRAWING





CLIENT				PROJECT Nippon G8 Panoramic Slim frame 100/10		ALL RIGHTS RESERVED AND COPYRIGHTS BY <b>VERO DESIGN</b> Vero Design Zagerijstraat 23 B-2960 Sint-Job	
	NAME	DATE	SIGN	PART NUMBER NIPPON-G8H2		UNLESS OTHERWISE SPECIFIED: DIMENSIONS ARE IN MILLIMETERS TOLERANCES: ISO 2768 m K	DEBURR AND BREAK SHARP EDGES
DRAWN		12/02/2020		MATERIAL:			
CHK'D				WEIGHT:			
APPV'D				FINISH:			<b>A3</b> SCALE:1:20 SHEET 1 OF 1