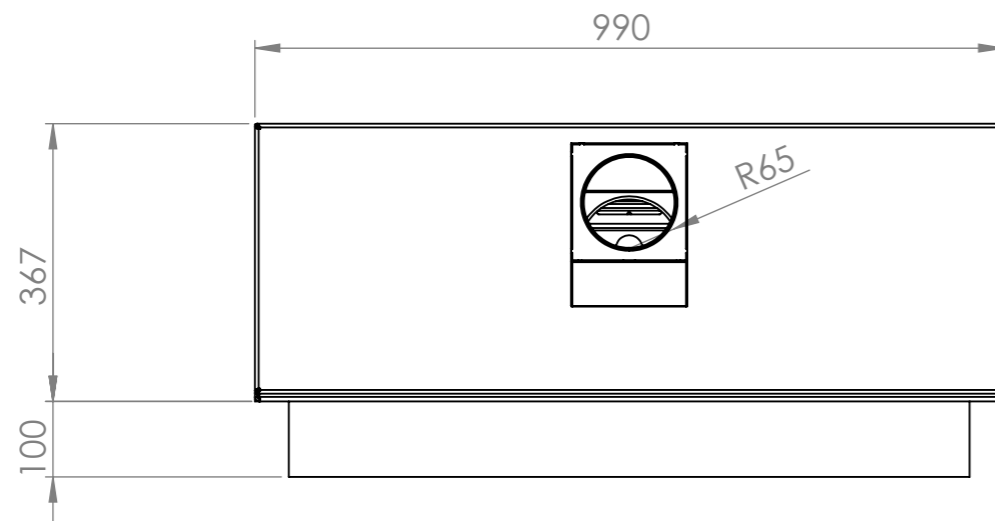
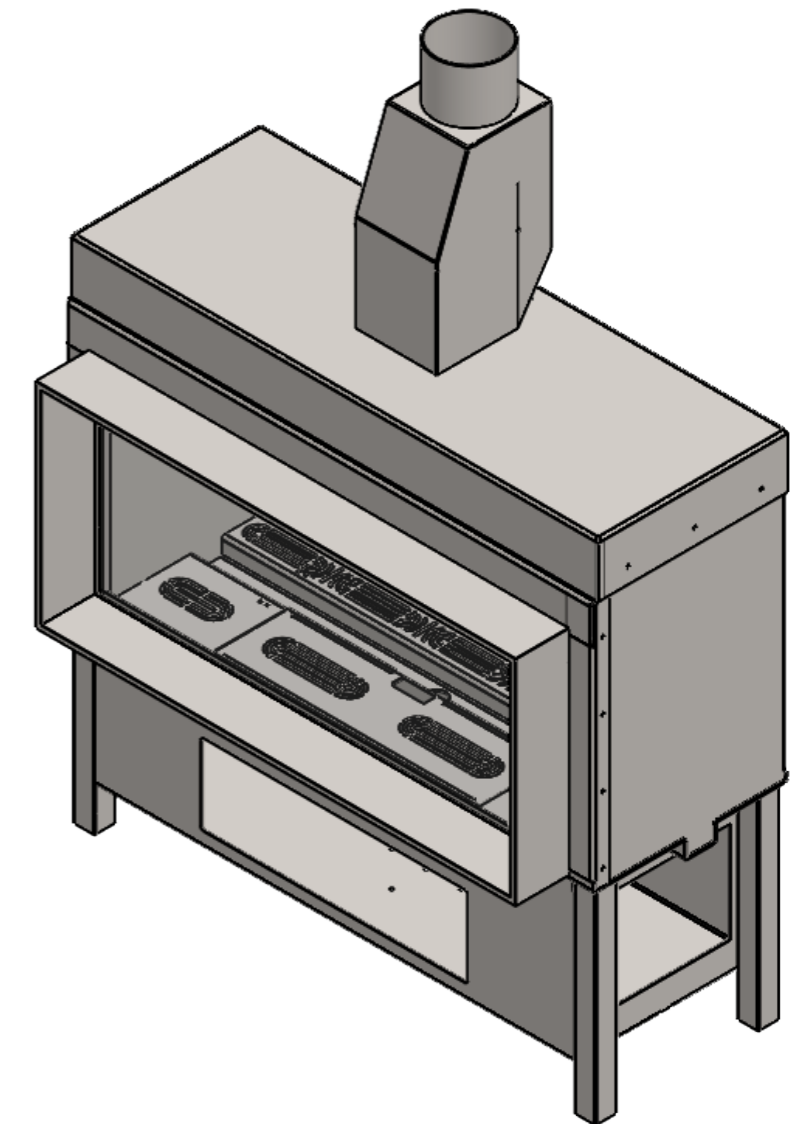
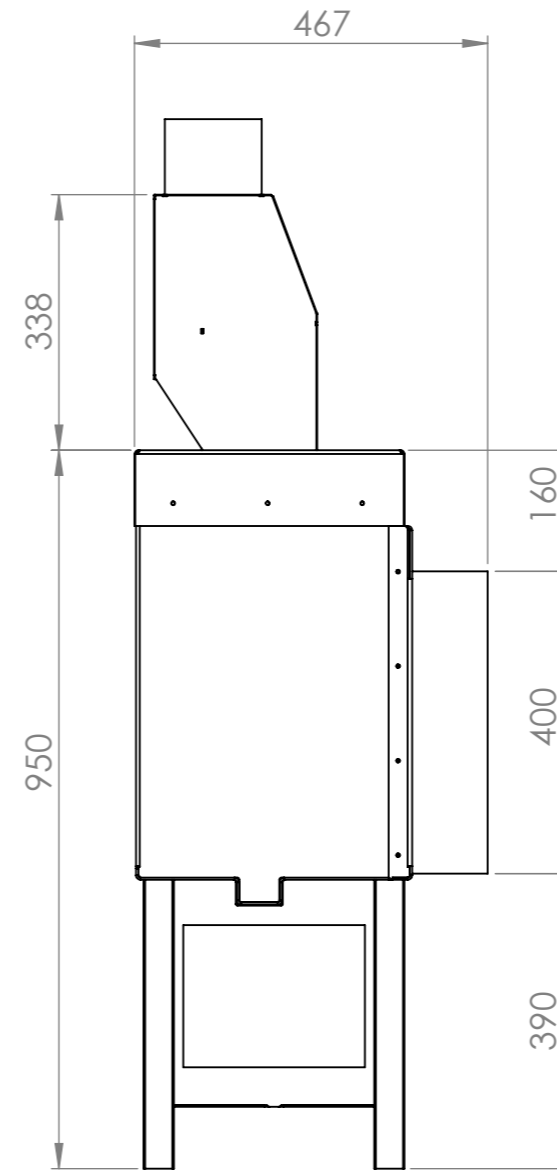
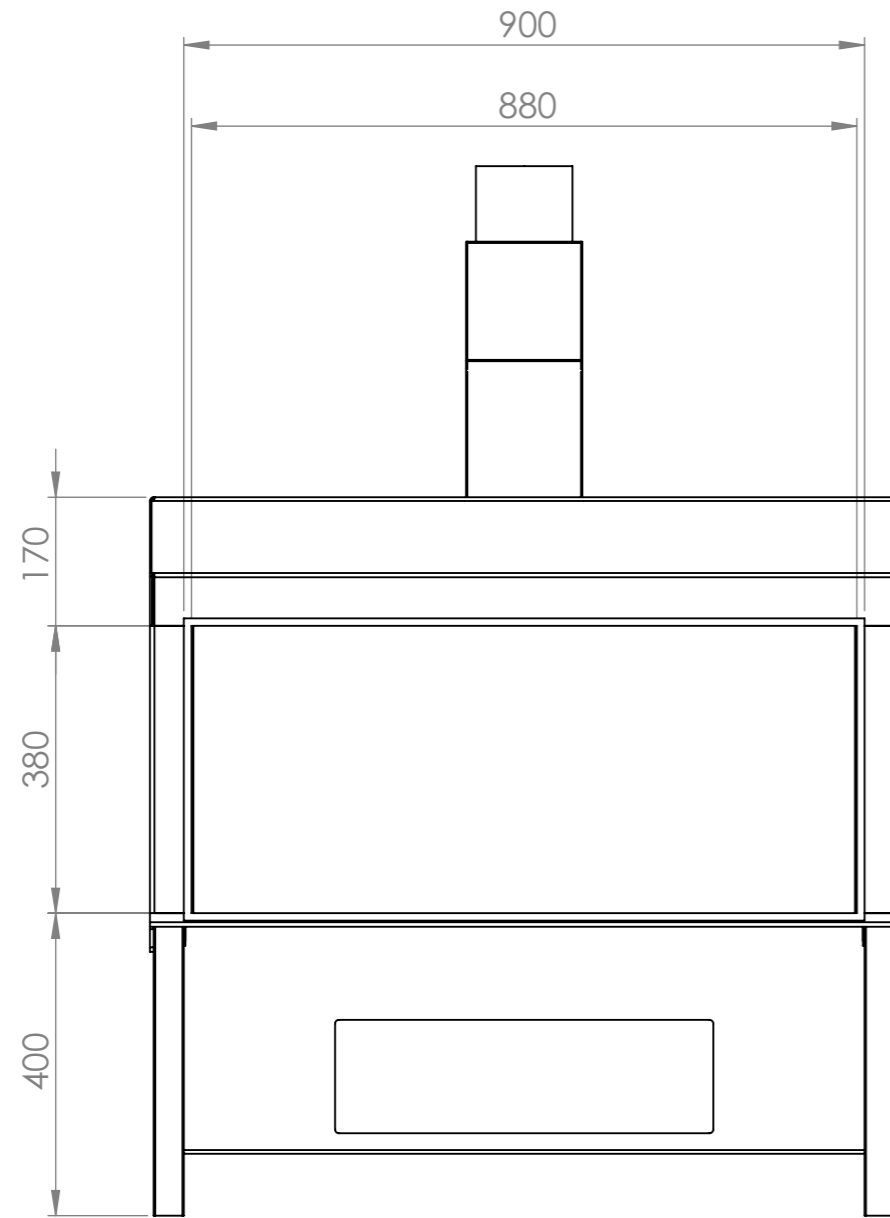

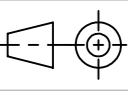
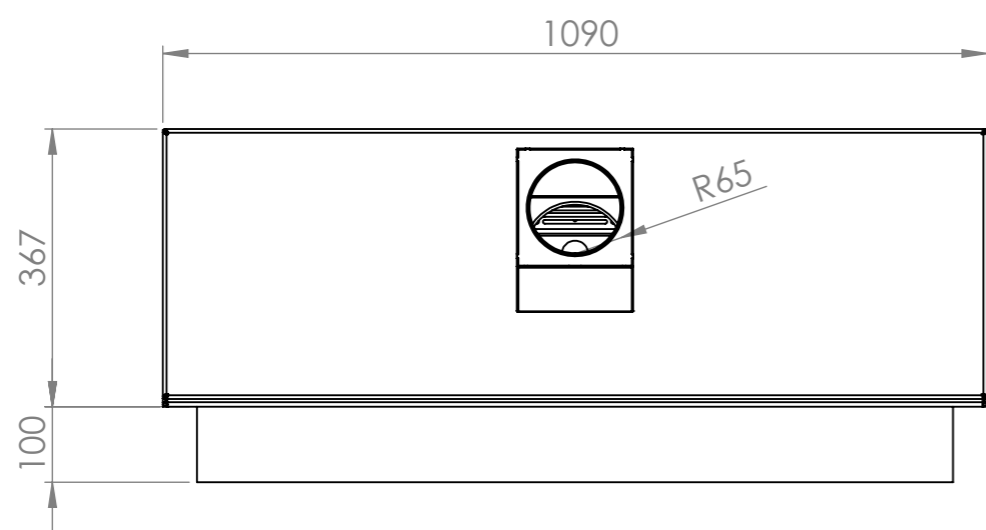
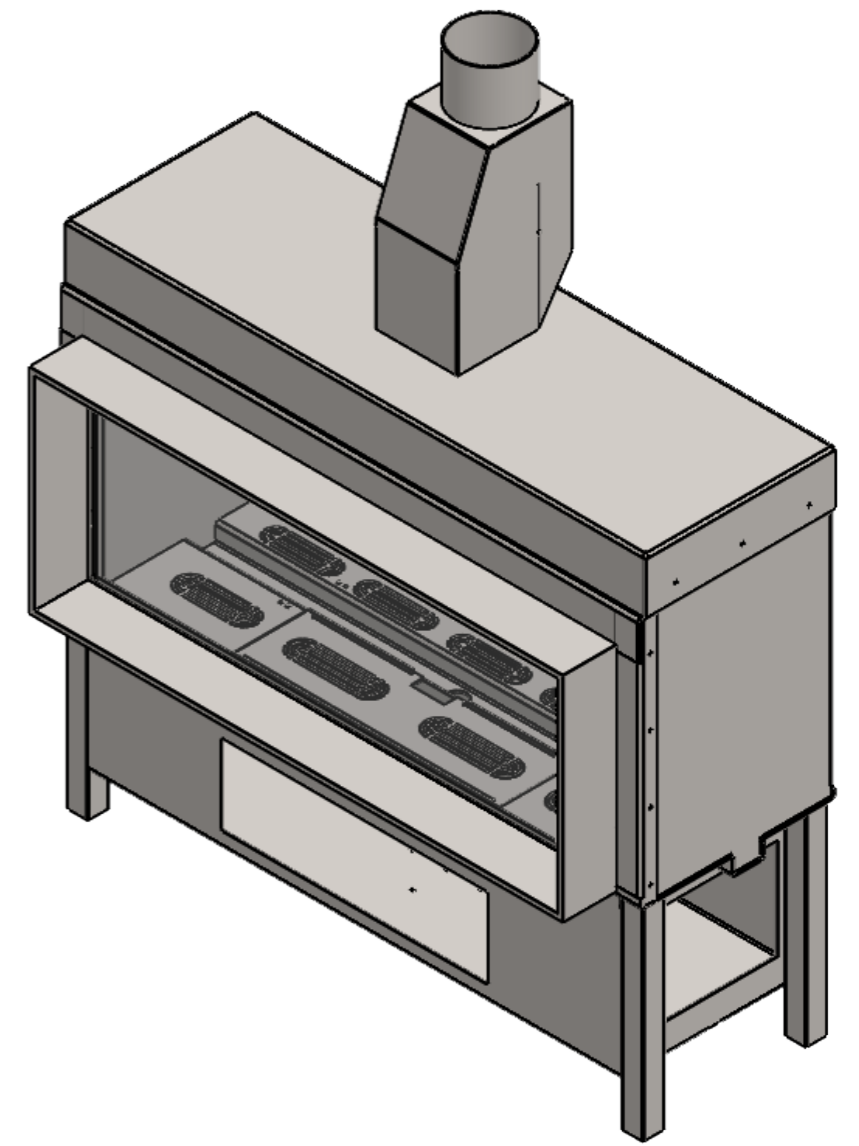
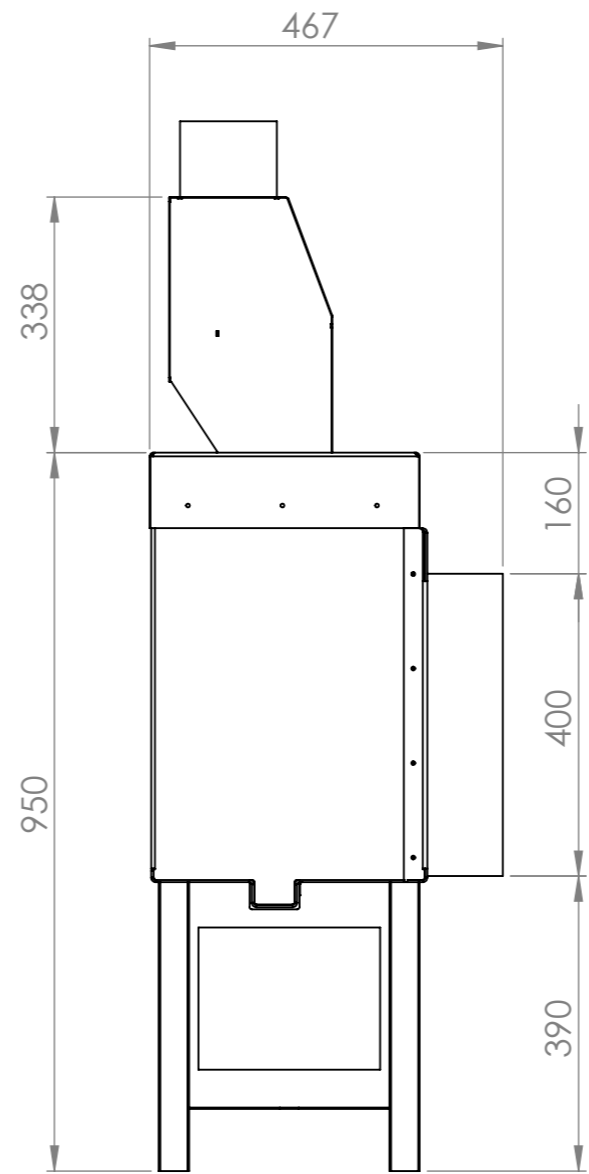
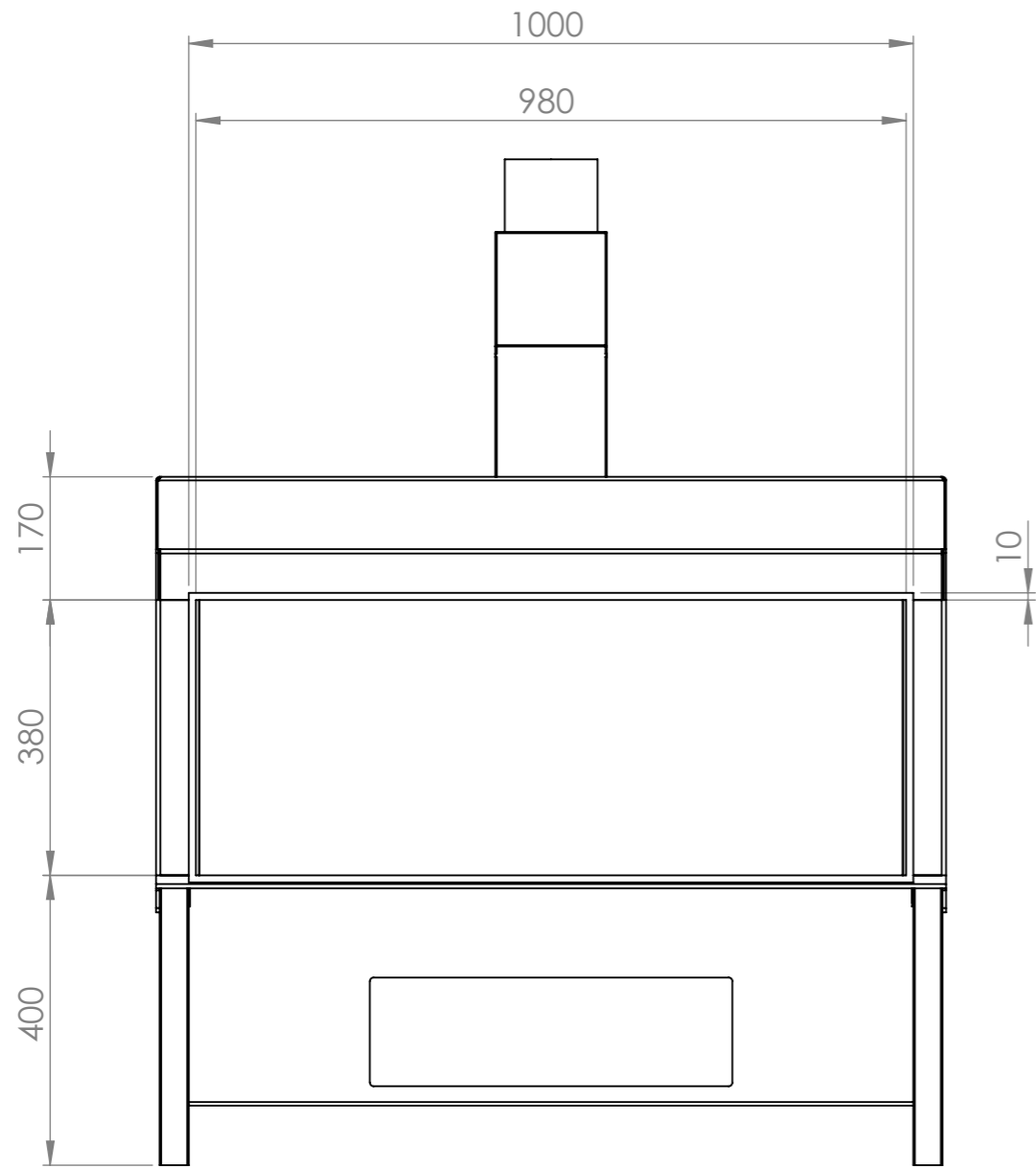

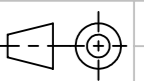


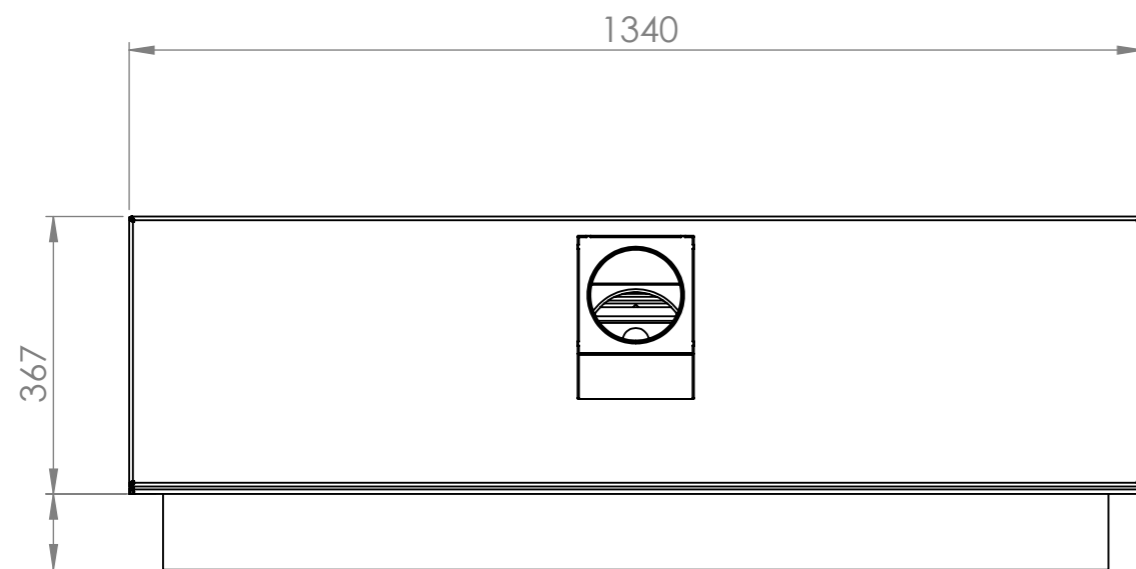
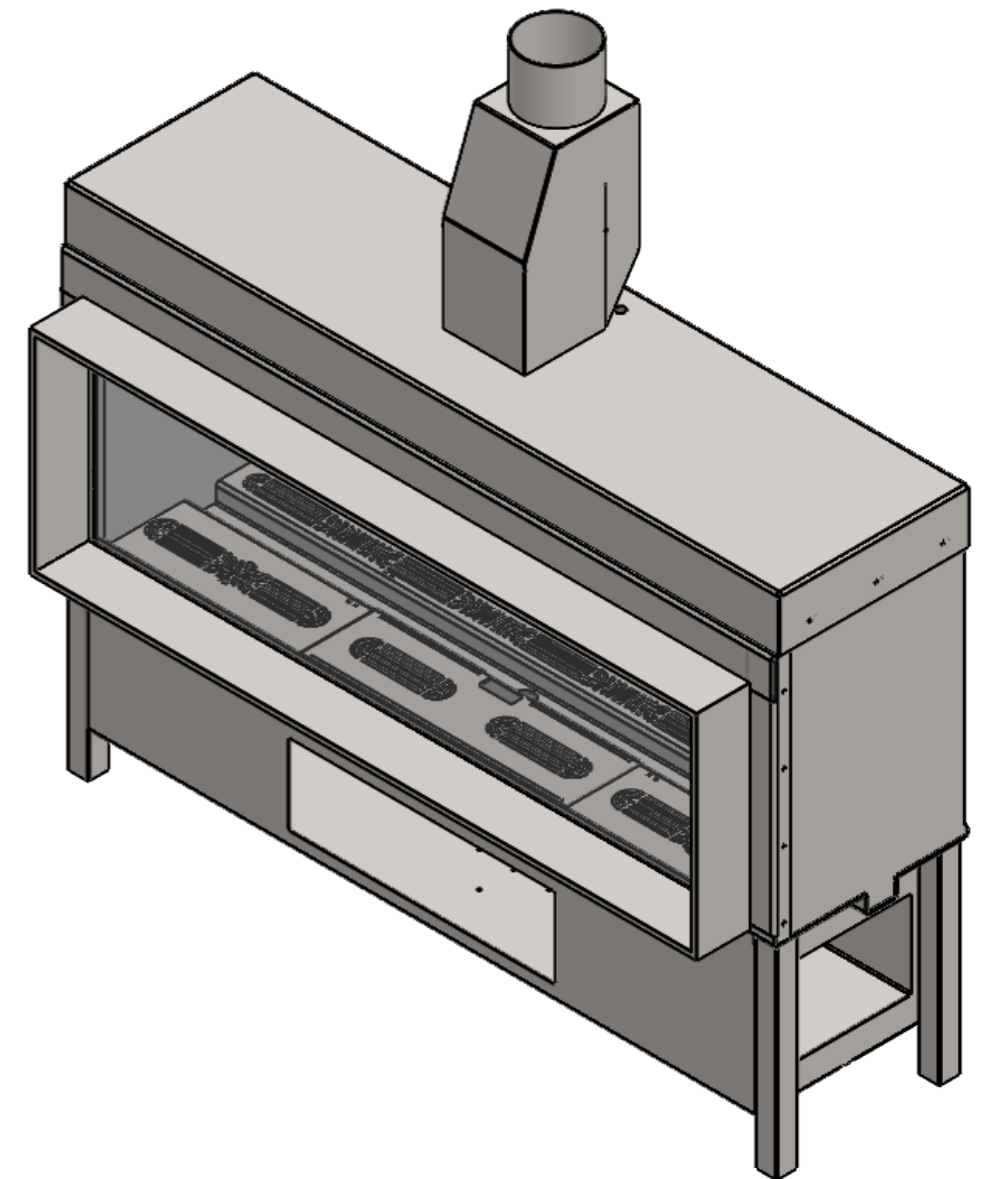
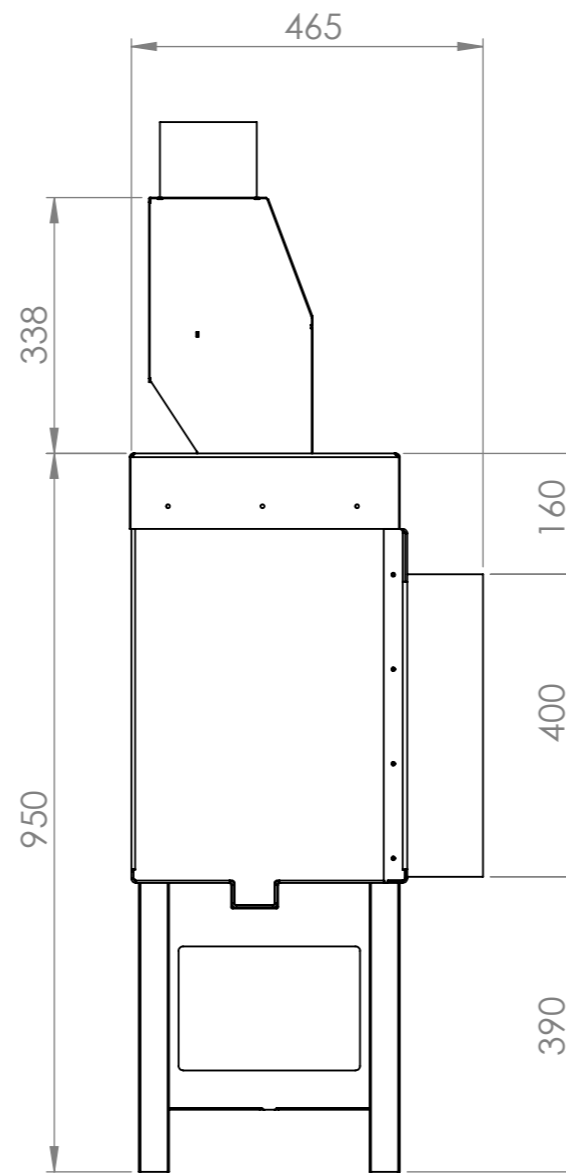
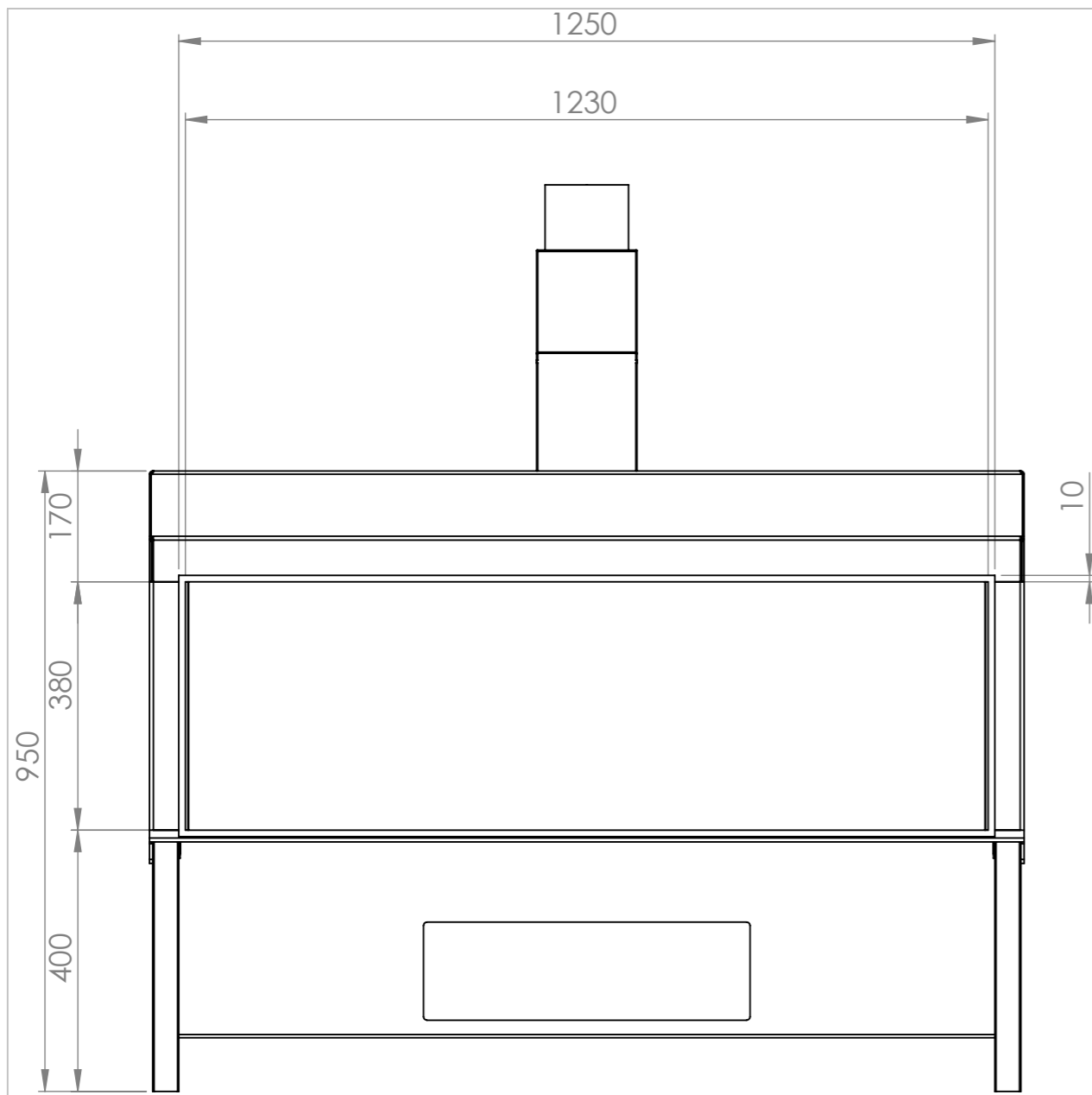
CLIENT				PROJECT Gala 1 Front B11 130 - Slim Frame 100 Line burner		ALL RIGHTS RESERVED AND COPYRIGHTS BY VERO DESIGN Vero Design Zagerijstraat 23 B-2960 Sint-Job	
DRAWN	NAME	DATE 24/07/2019	SIGN	PART NUMBER GA1F-B11-SLF		UNLESS OTHERWISE SPECIFIED: DIMENSIONS ARE IN MILLIMETERS TOLERANCES: ISO 2768 m K	DEBURR AND BREAK SHARP EDGES
CHK'D				MATERIAL:			
APPV'D				WEIGHT:			
				FINISH:			
						DO NOT SCALE DRAWING	A3 SCALE:1:10 SHEET 1 OF 1


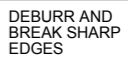



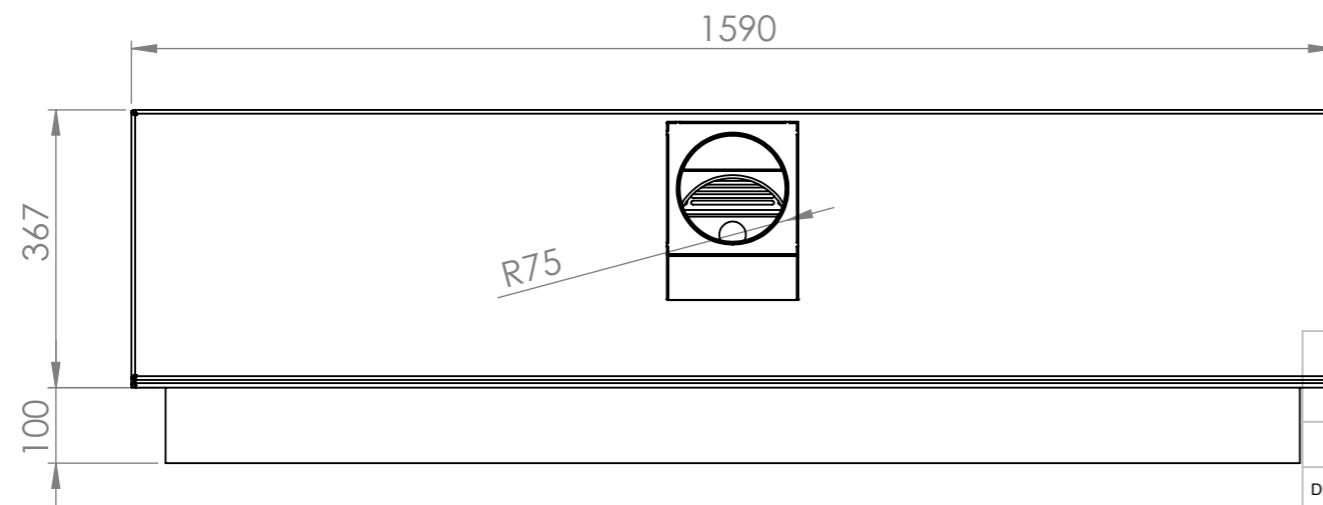
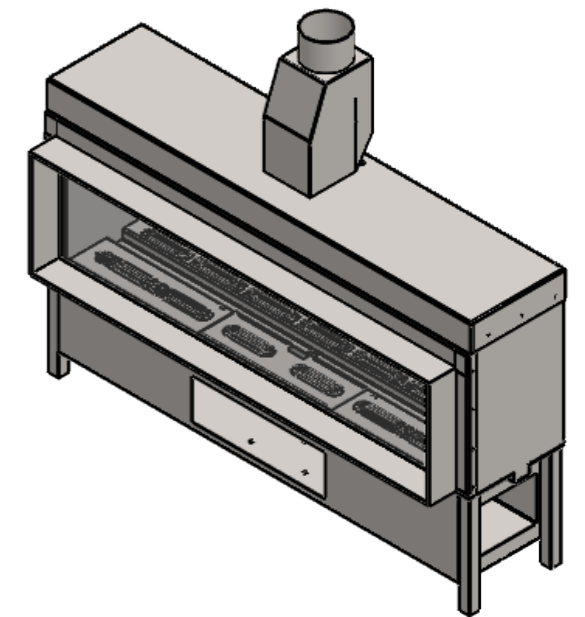
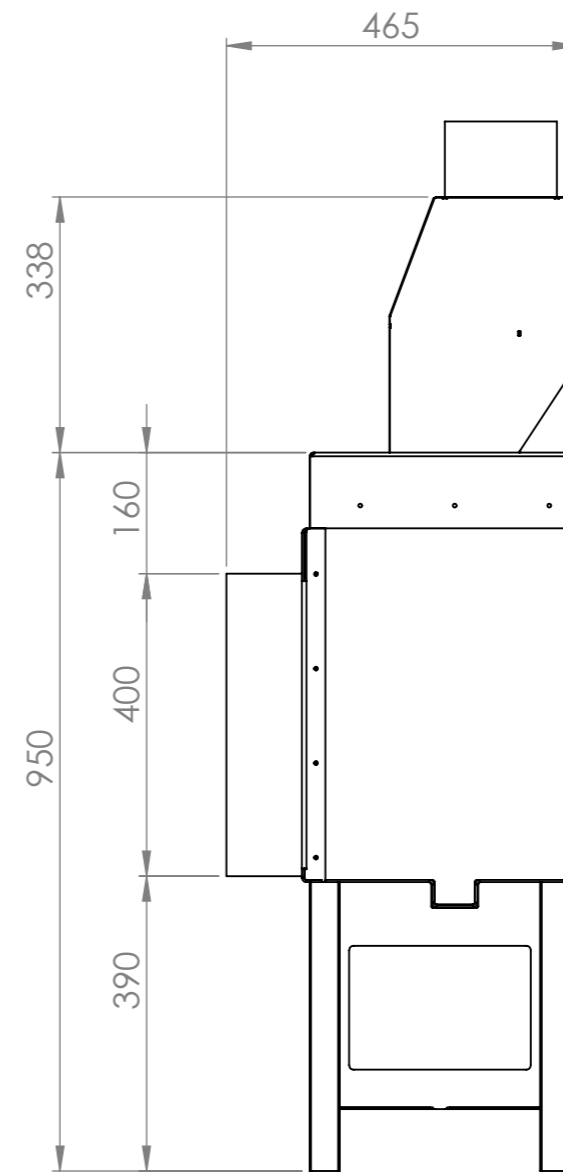
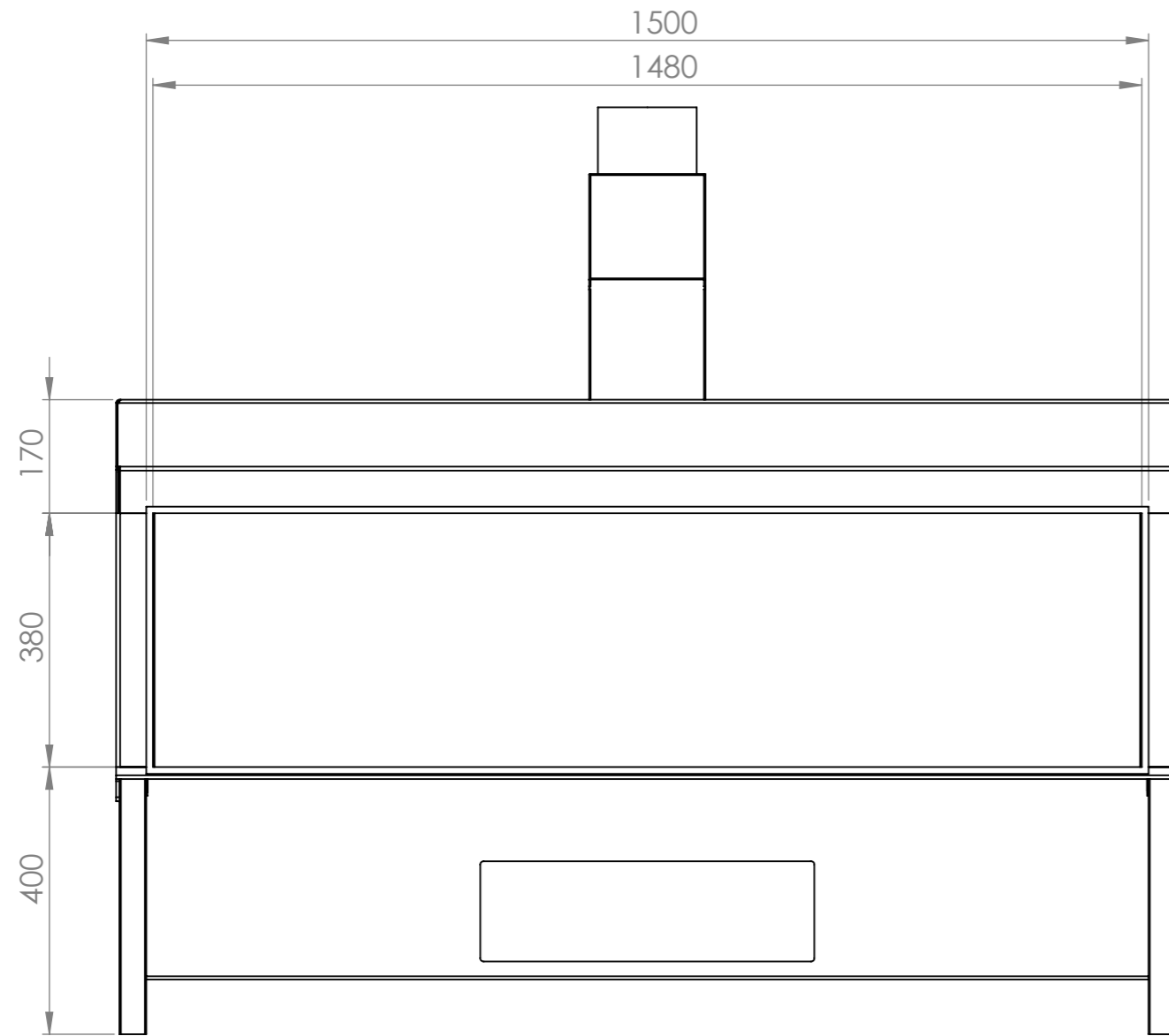
CLIENT				PROJECT Gala 2 Front B11 130 - Slim Frame Line burner		ALL RIGHTS RESERVED AND COPYRIGHTS BY	
				PART NUMBER GA2F-B11-SLF		 Vero Design Zagerijstraat 23 B-2960 Sint-Job	
DRAWN	NAME	DATE 24/07/2019	SIGN	MATERIAL:	UNLESS OTHERWISE SPECIFIED: DIMENSIONS ARE IN MILLIMETERS TOLERANCES: ISO 2768 m K		DEBURR AND BREAK SHARP EDGES
CHK'D			WEIGHT:				
APPV'D			FINISH:				
						 A3 SCALE: 1:10	
						DO NOT SCALE DRAWING SHEET 1 OF 1	



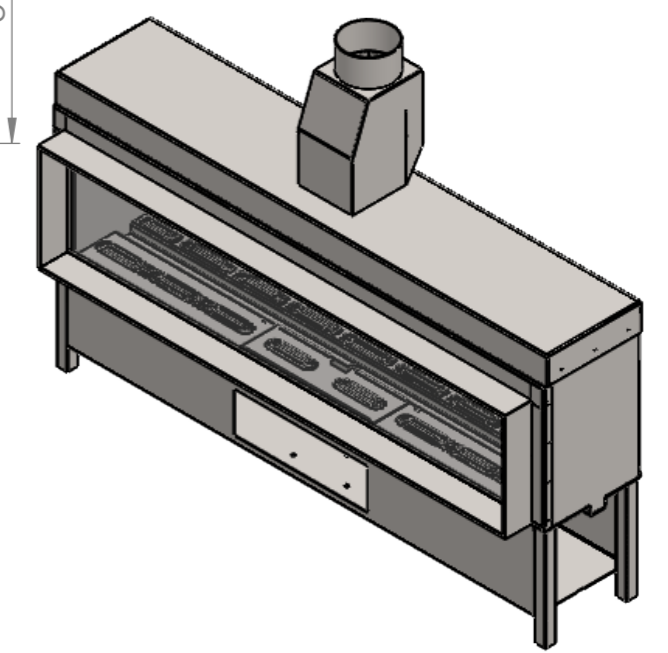
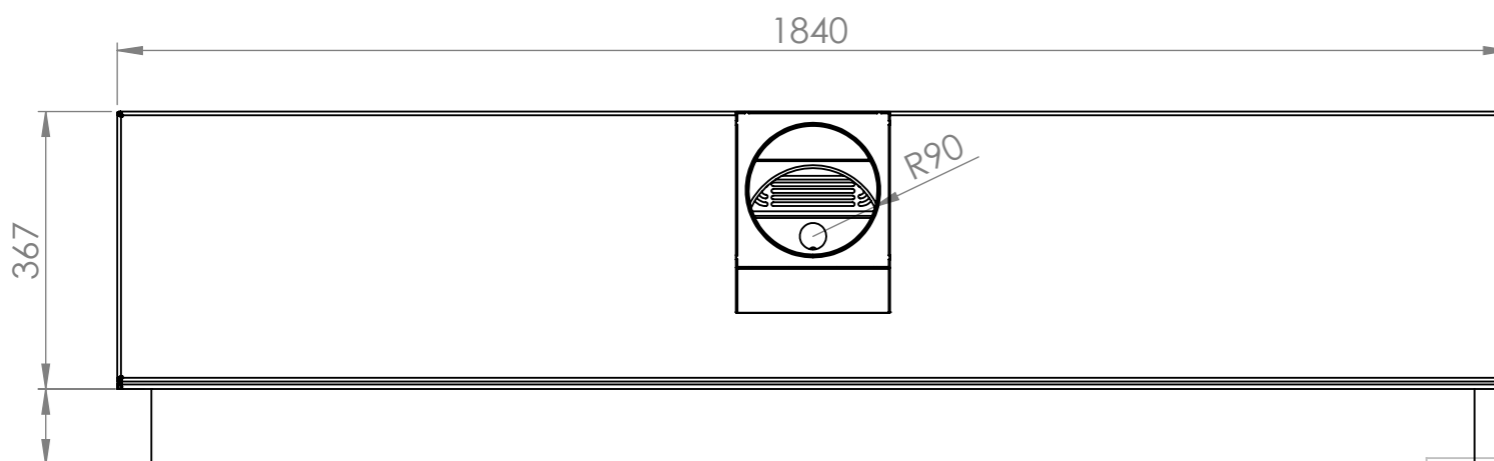
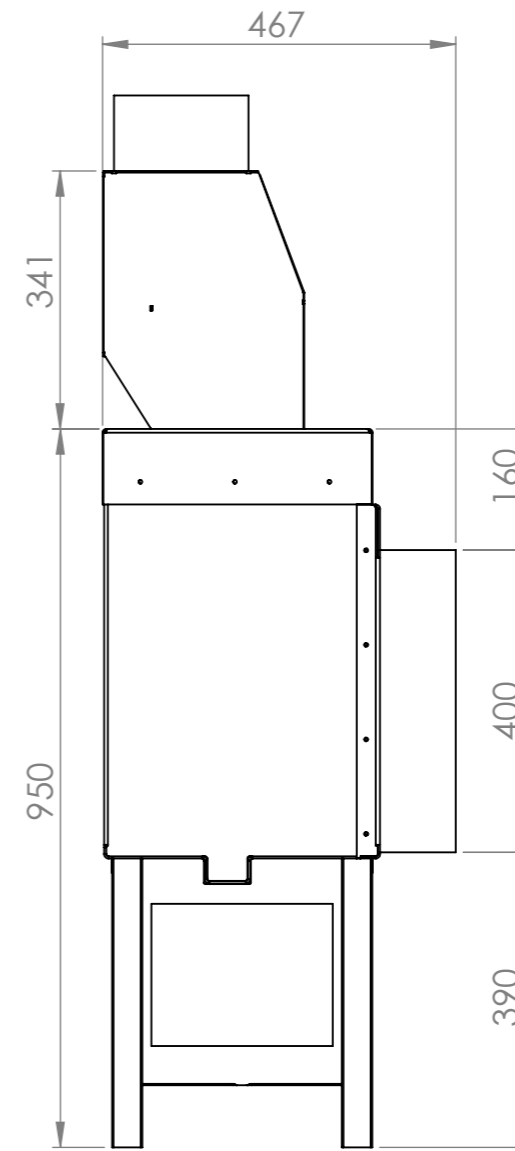
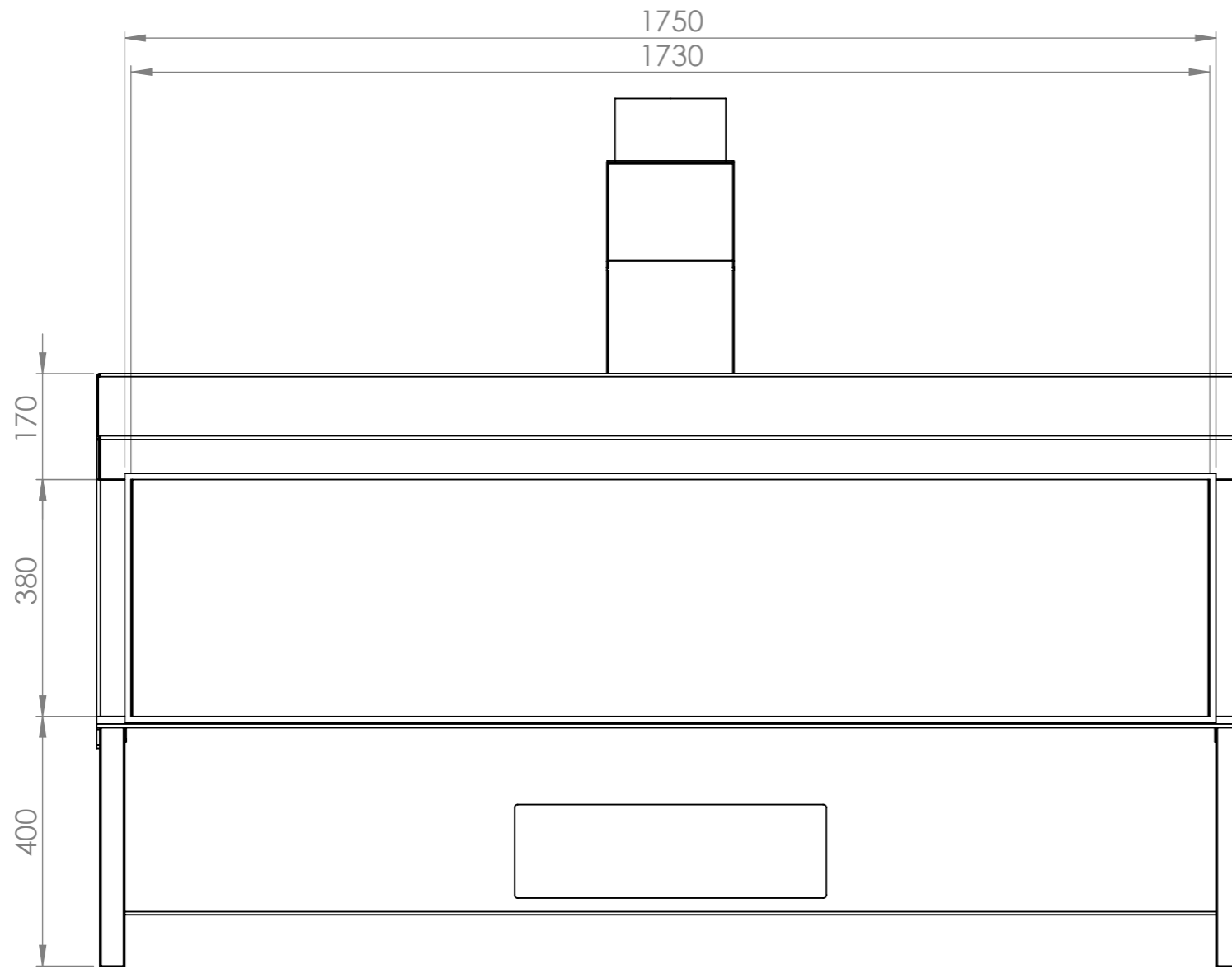
CLIENT				PROJECT Gala 3 Front B11 130 - Slim frame 100 Line burner		ALL RIGHTS RESERVED AND COPYRIGHTS BY	
				PART NUMBER GA3F-B11-SLF		 Vero Design Zagerijstraat 23 B-2960 Sint-Job	
DRAWN	NAME	DATE	SIGN	MATERIAL:	UNLESS OTHERWISE SPECIFIED: DIMENSIONS ARE IN MILLIMETERS TOLERANCES: ISO 2768 m K	DEBURR AND BREAK SHARP EDGES	 A3 SCALE:1:10
CHK'D			WEIGHT:				
APPV'D			FINISH:				
						DO NOT SCALE DRAWING	SHEET 1 OF 1


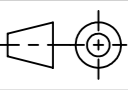


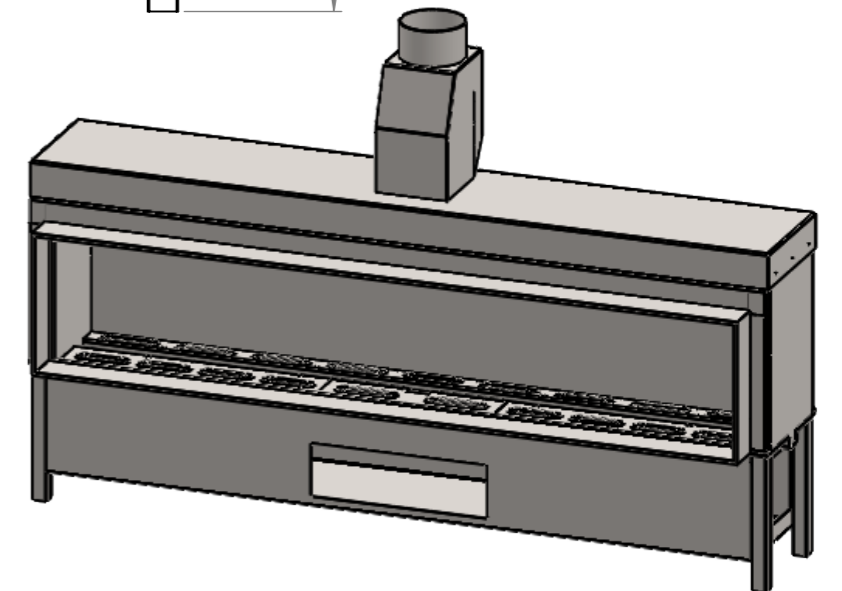
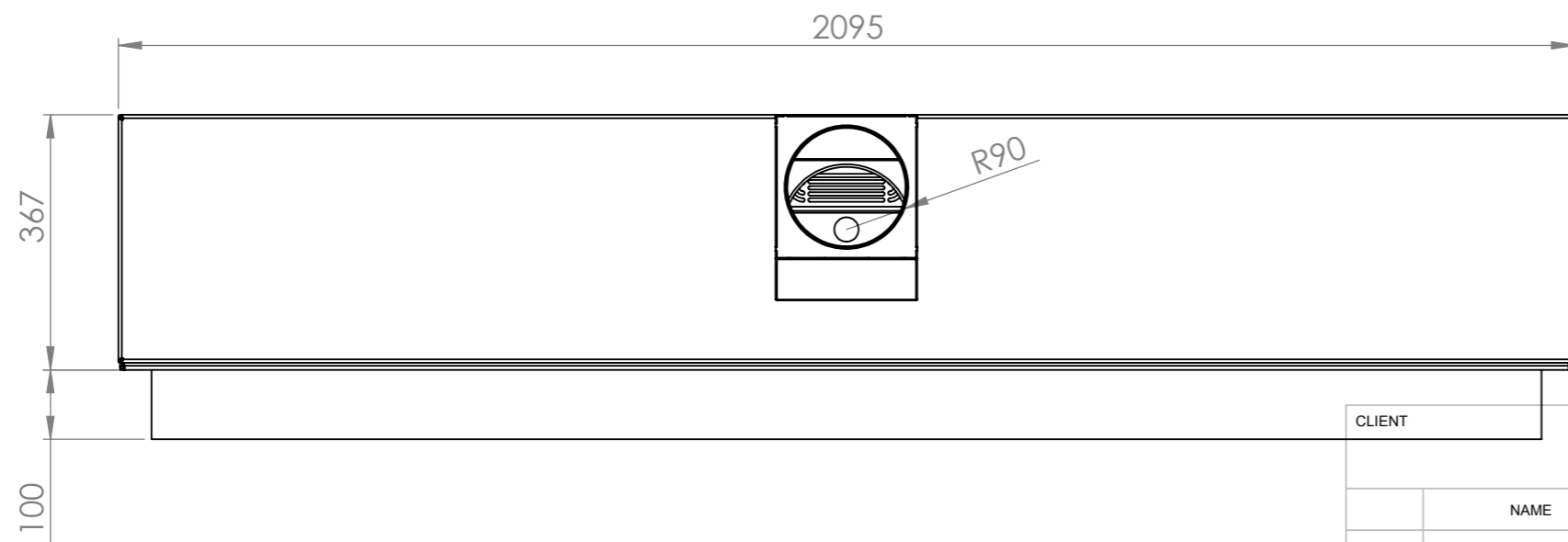
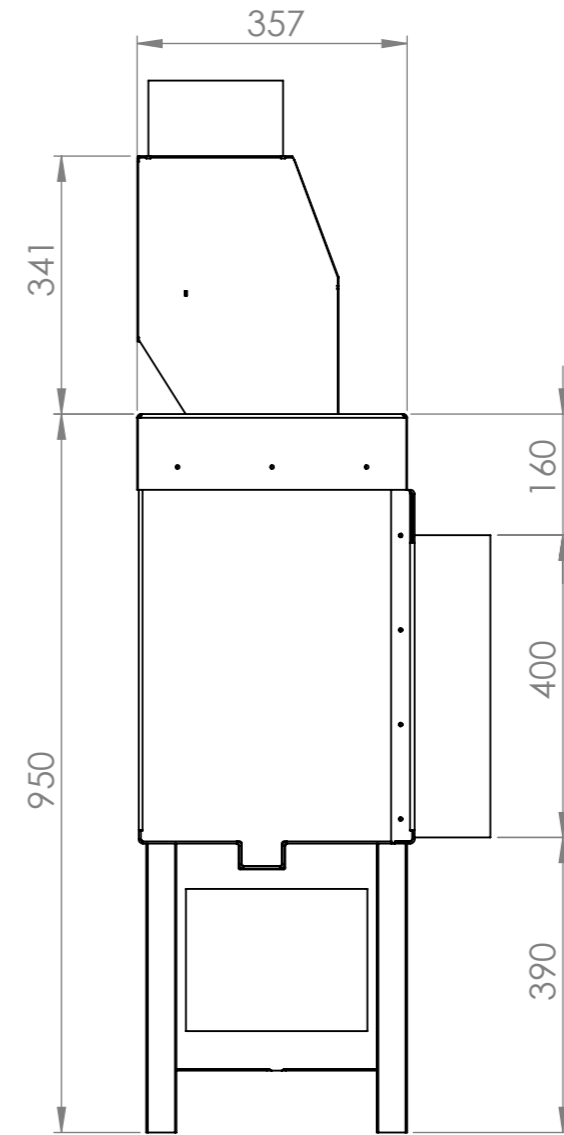
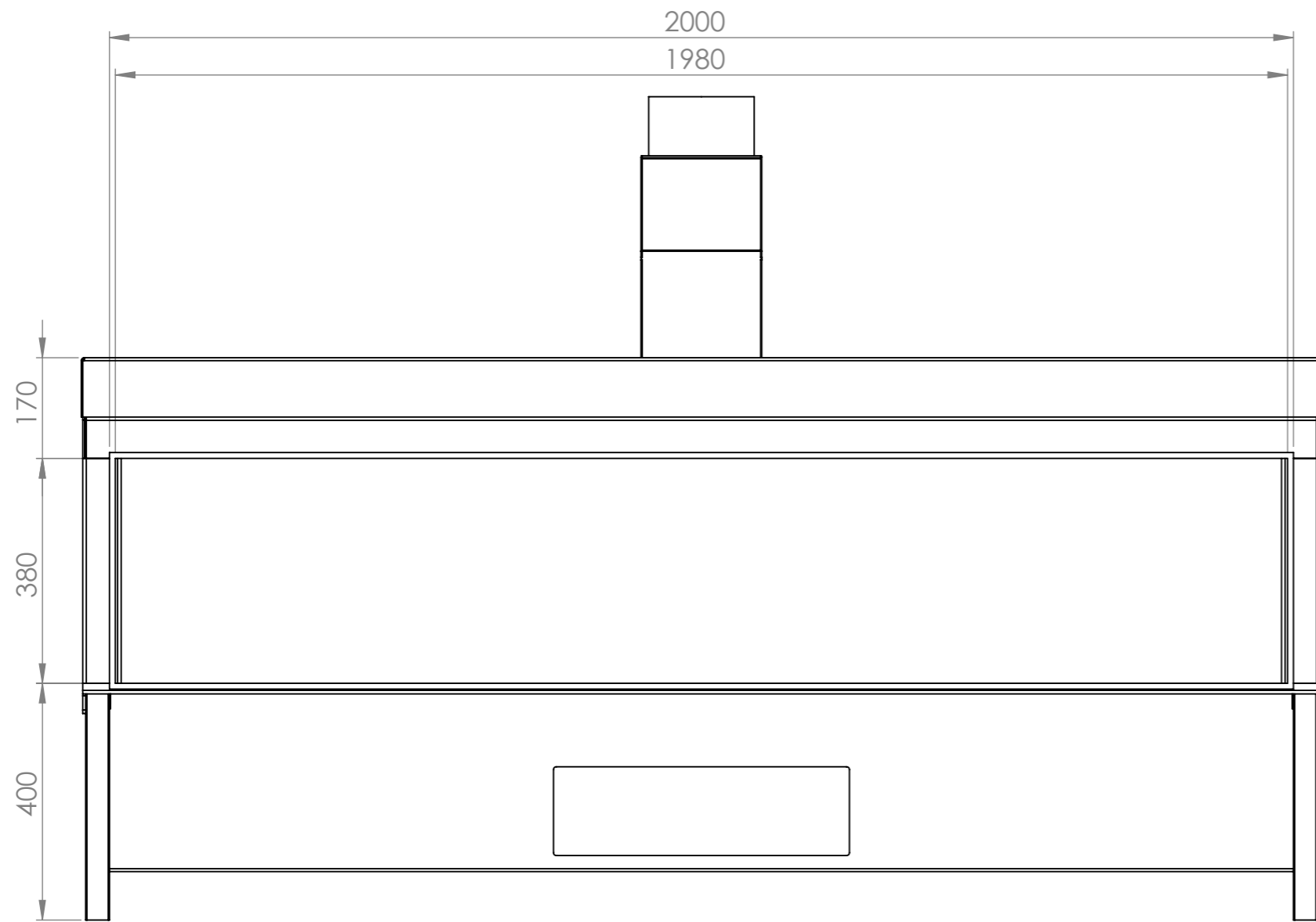
CLIENT				PROJECT Gala 4F Slime frame 100 - Line burner B11/130		ALL RIGHTS RESERVED AND COPYRIGHTS BY	
				PART NUMBER GA4F-B11-SLF		 Vero Design Zagerijstraat 23 B-2960 Sint-Job	
DRAWN	NAME	DATE	SIGN	MATERIAL:	UNLESS OTHERWISE SPECIFIED: DIMENSIONS ARE IN MILLIMETERS TOLERANCES: ISO 2768 m K	 DEBURR AND BREAK SHARP EDGES	 A3 SCALE:1:10
CHK'D			WEIGHT:				
APPV'D			FINISH:				
						DO NOT SCALE DRAWING	
						SHEET 1 OF 1	



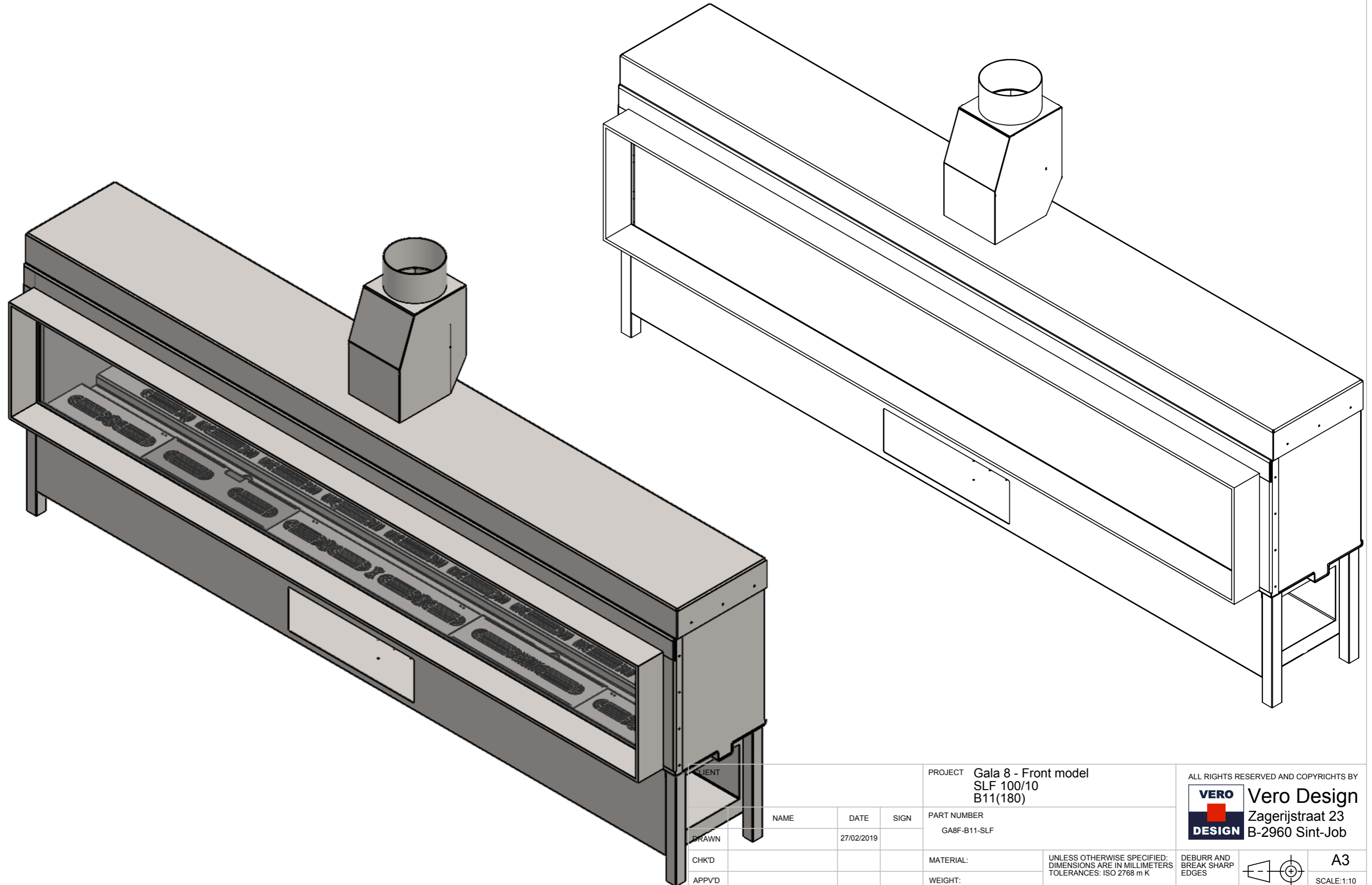
				GALA 5F - Front model Slim frame 100 - Line burner B11 130mm		ALL RIGHTS RESERVED AND COPYRIGHTS BY VERO DESIGN Vero Design Zagerijstraat 23 B-2960 Sint-Job	
	NAME	DATE	SIGN	GA5F-SLF050-B11-CONV		UNLESS OTHERWISE SPECIFIED: DIMENSIONS ARE IN MILLIMETERS TOLERANCES: ISO 2768 m K	
DRAWN		01/2019		MATERIAL:			
CHK'D				WEIGHT: 170 Kg			
APPV'D				FINISH:		DO NOT SCALE DRAWING	A3 SCALE:1:10 SHEET 1 OF 1


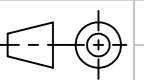


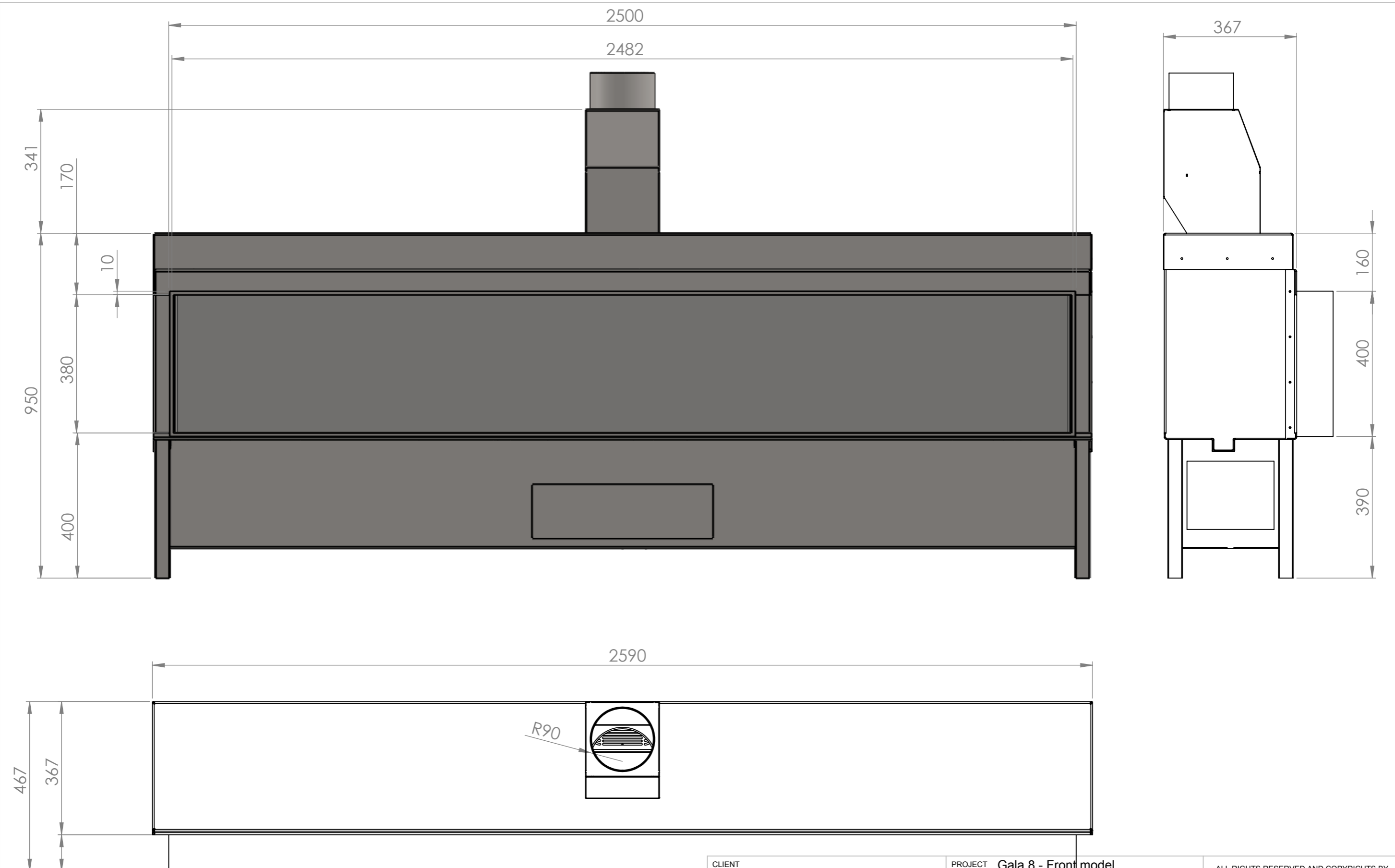
CLIENT				PROJECT GALA 6F - Front model Slim frame 100/10 - Line burner B11 - 180mm		ALL RIGHTS RESERVED AND COPYRIGHTS BY	
				PART NUMBER GA6F-B11-SLF		 Vero Design Zagerijstraat 23 B-2960 Sint-Job	
DRAWN	NAME	DATE 25/07/2019	SIGN	MATERIAL:	UNLESS OTHERWISE SPECIFIED: DIMENSIONS ARE IN MILLIMETERS TOLERANCES: ISO 2768 m K	DEBURR AND BREAK SHARP EDGES	 A3 SCALE:1:10
CHK'D			WEIGHT:				
APPV'D			FINISH:				
						DO NOT SCALE DRAWING SHEET 1 OF 1	



CLIENT				PROJECT Gala 7 Front model - 200x40 B11 180 schouw - SLF100/10 Lijnbrander		ALL RIGHTS RESERVED AND COPYRIGHTS BY VERO DESIGN Vero Design Zagerijstraat 23 B-2960 Sint-Job	
DRAWN	NAME	DATE	SIGN	PART NUMBER GA7F-B11-SLF		UNLESS OTHERWISE SPECIFIED: DIMENSIONS ARE IN MILLIMETERS TOLERANCES: ISO 2768 m K	DEBURR AND BREAK SHARP EDGES
CHK'D				MATERIAL:			
APPV'D				WEIGHT:			
				FINISH:			
						A3 SCALE: 1:10 SHEET 1 OF 1	
						DO NOT SCALE DRAWING	



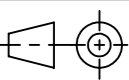
CLIENT				PROJECT Gala 8 - Front model SLF 100/10 B11(180)		ALL RIGHTS RESERVED AND COPYRIGHTS BY	
DRAWN				PART NUMBER GA8F-B11-SLF		 Vero Design Zagerijstraat 23 B-2960 Sint-Job	
CHK'D				MATERIAL:		UNLESS OTHERWISE SPECIFIED: DIMENSIONS ARE IN MILLIMETERS TOLERANCES: ISO 2768 m K	
APPV'D				WEIGHT:			
				FINISH:		A3 SCALE: 1:10 DO NOT SCALE DRAWING SHEET 1 OF 2	



CLIENT				PROJECT Gala 8 - Front model	
				SLF 100/10 B11(180)	
	NAME	DATE	SIGN	PART NUMBER	
DRAWN		27/02/2019		GA8F-B11-SLF	
CHK'D				MATERIAL:	UNLESS OTHERWISE SPECIFIED: DIMENSIONS ARE IN MILLIMETERS TOLERANCES: ISO 2768 m K
APPV'D				WEIGHT:	
				FINISH:	

ALL RIGHTS RESERVED AND COPYRIGHTS BY

VERO Vero Design
DESIGN Zagerijstraat 23
 B-2960 Sint-Job

DEBURR AND BREAK SHARP EDGES  **A3**
 SCALE: 1:10

DO NOT SCALE DRAWING SHEET 2 OF 2