
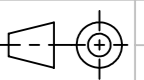
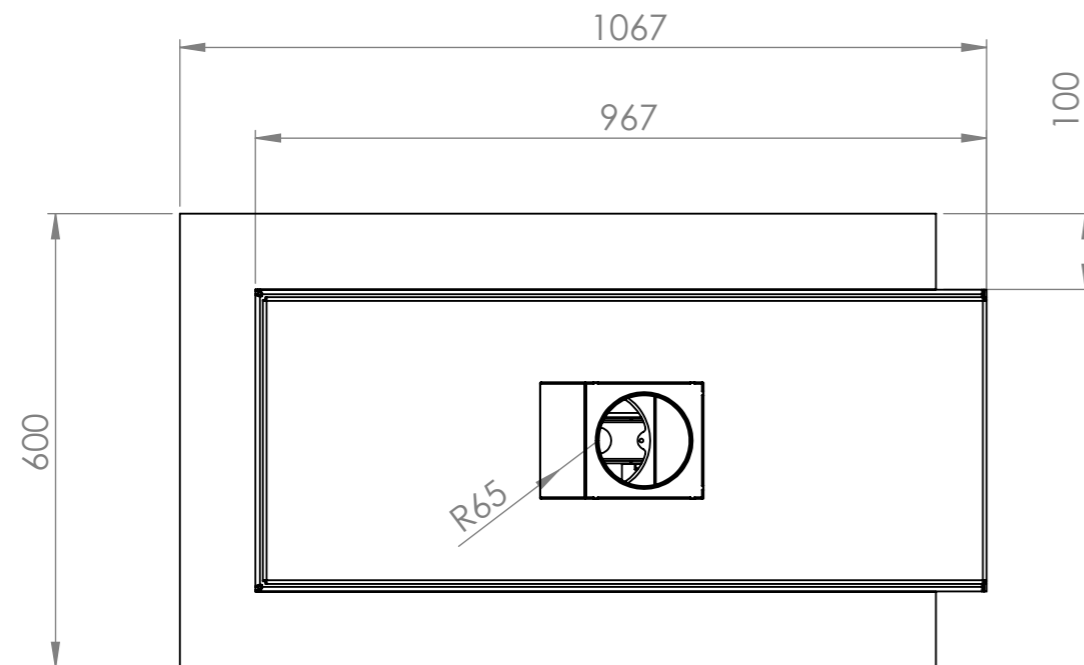
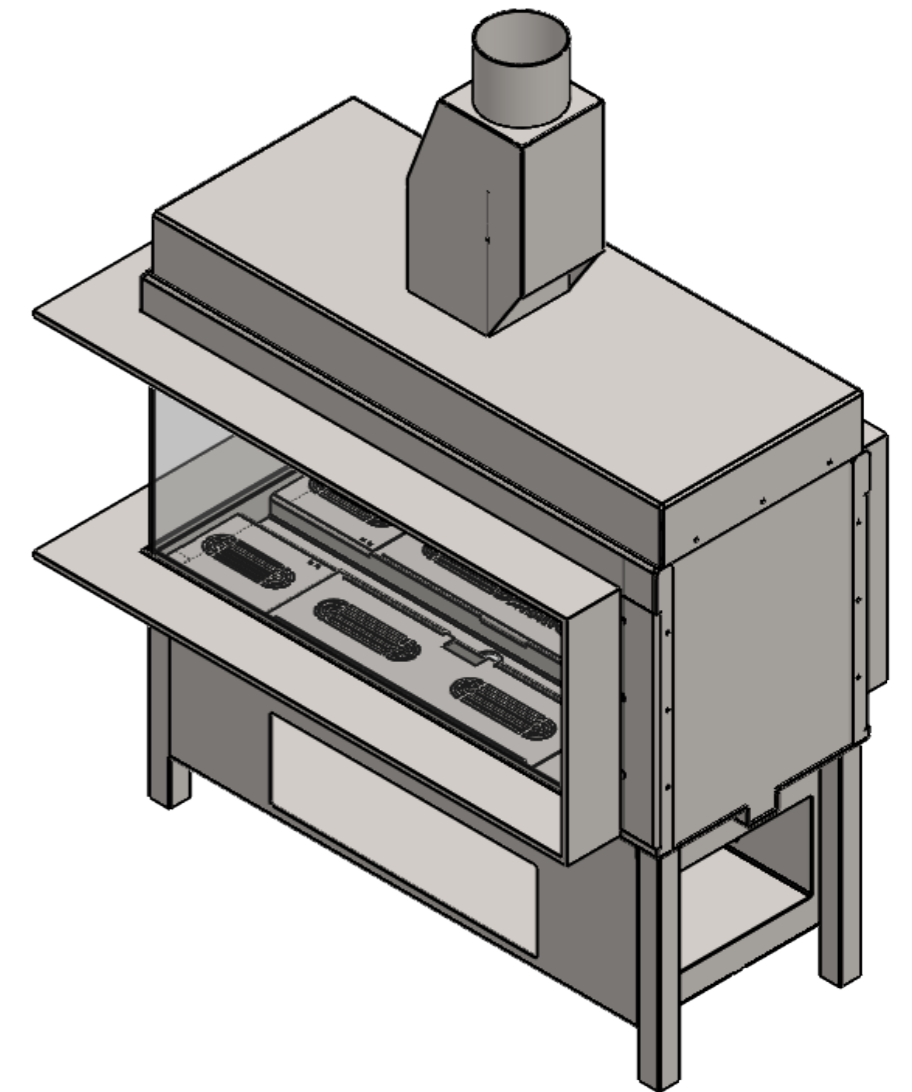
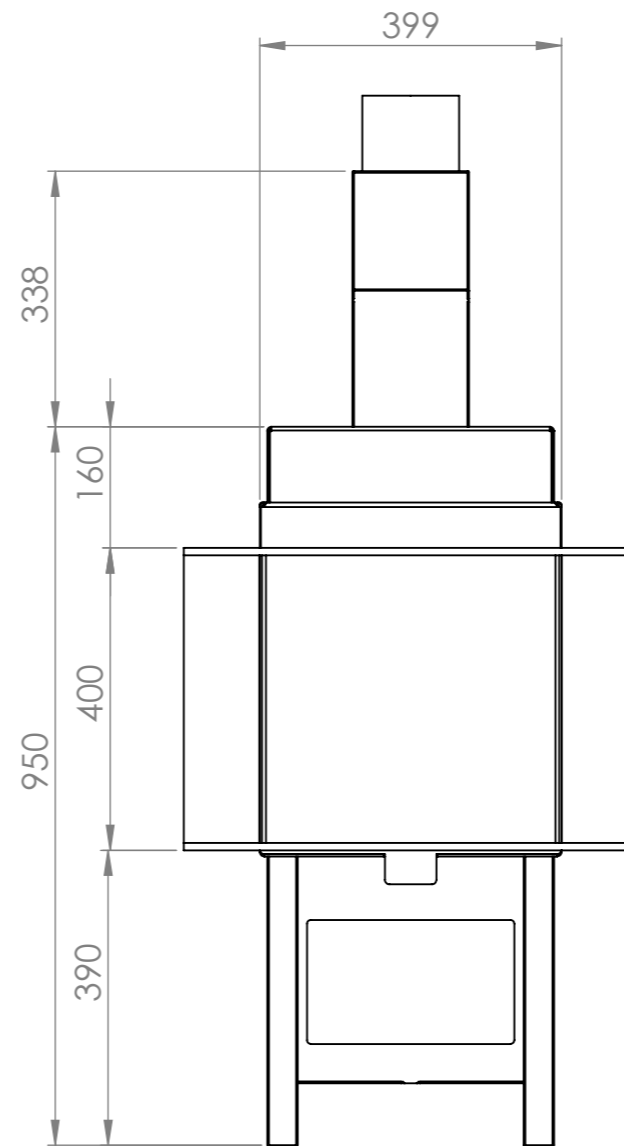
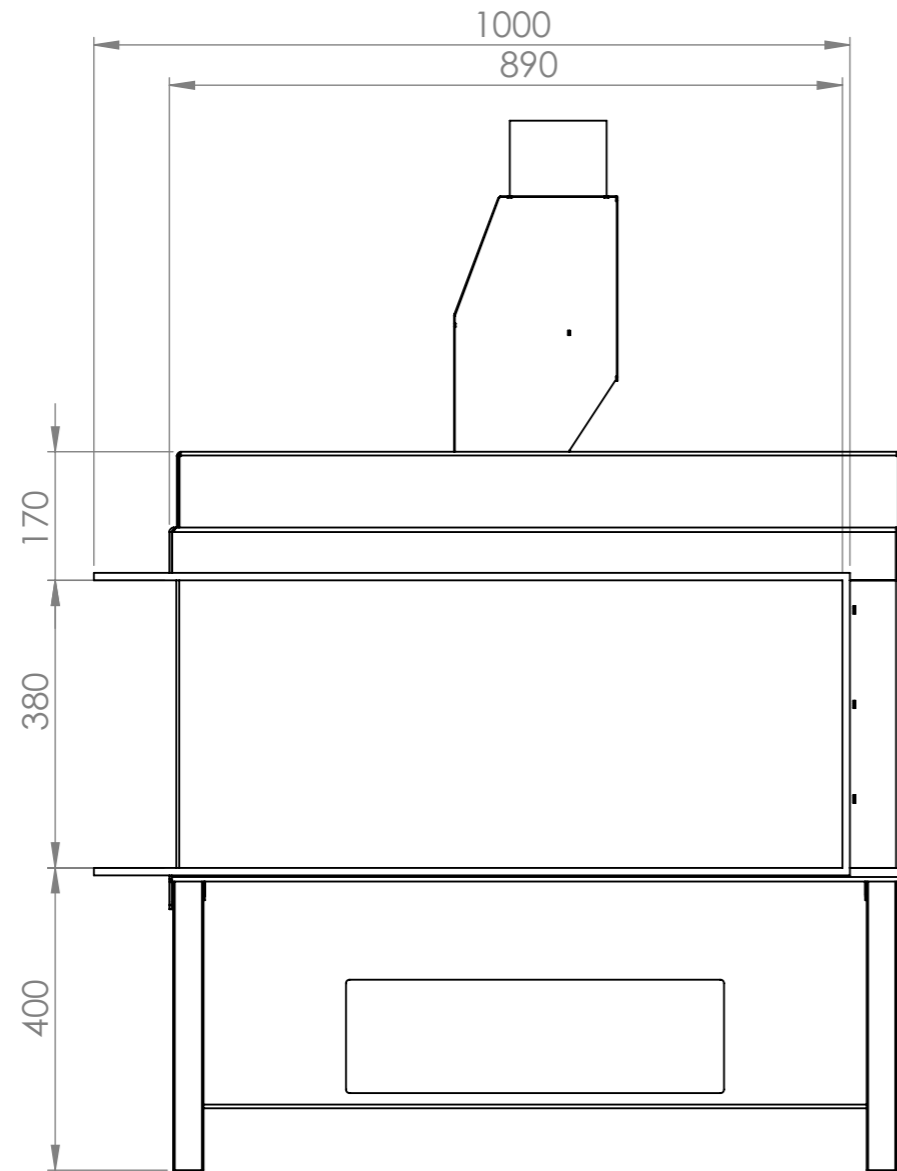
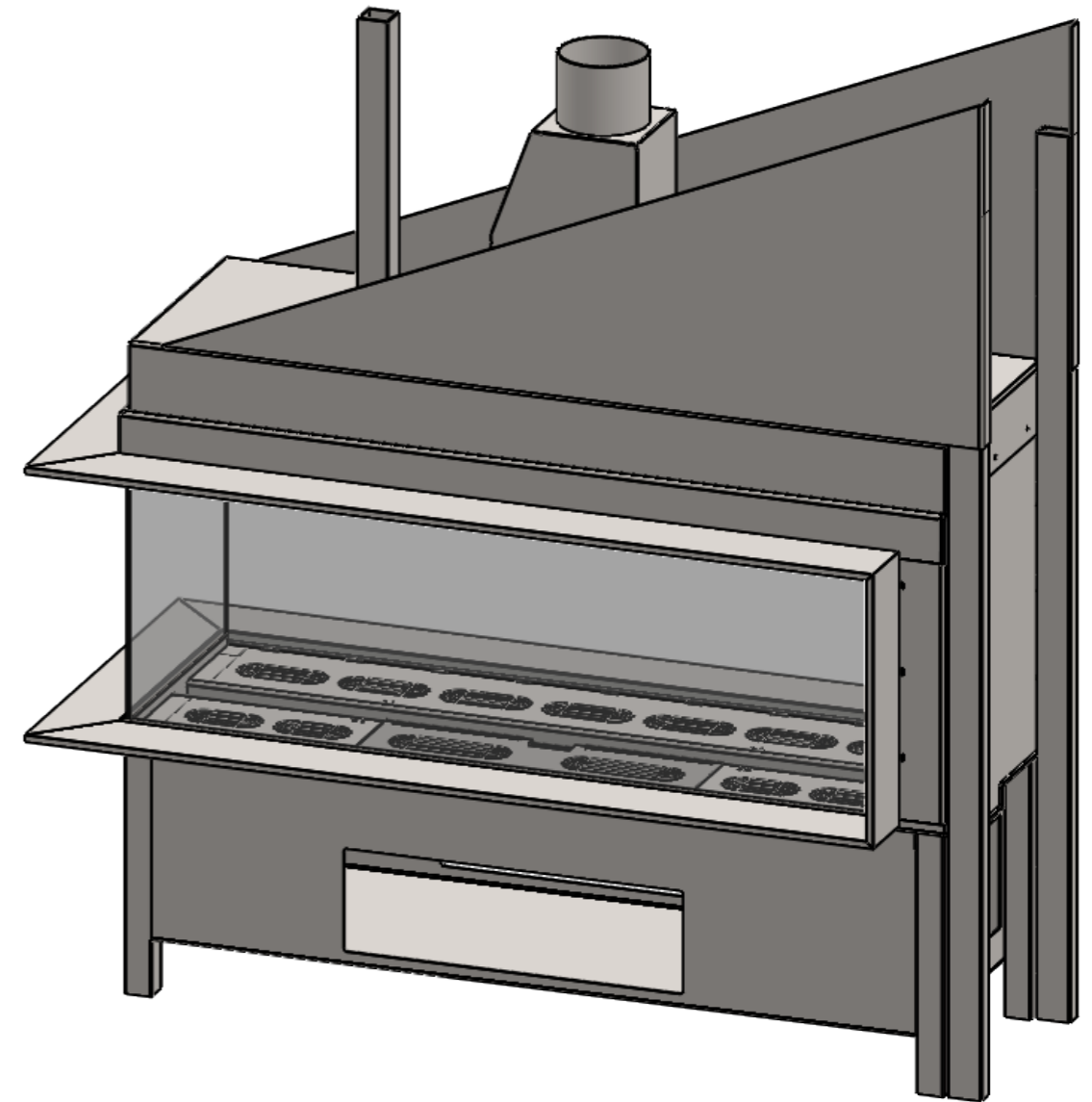
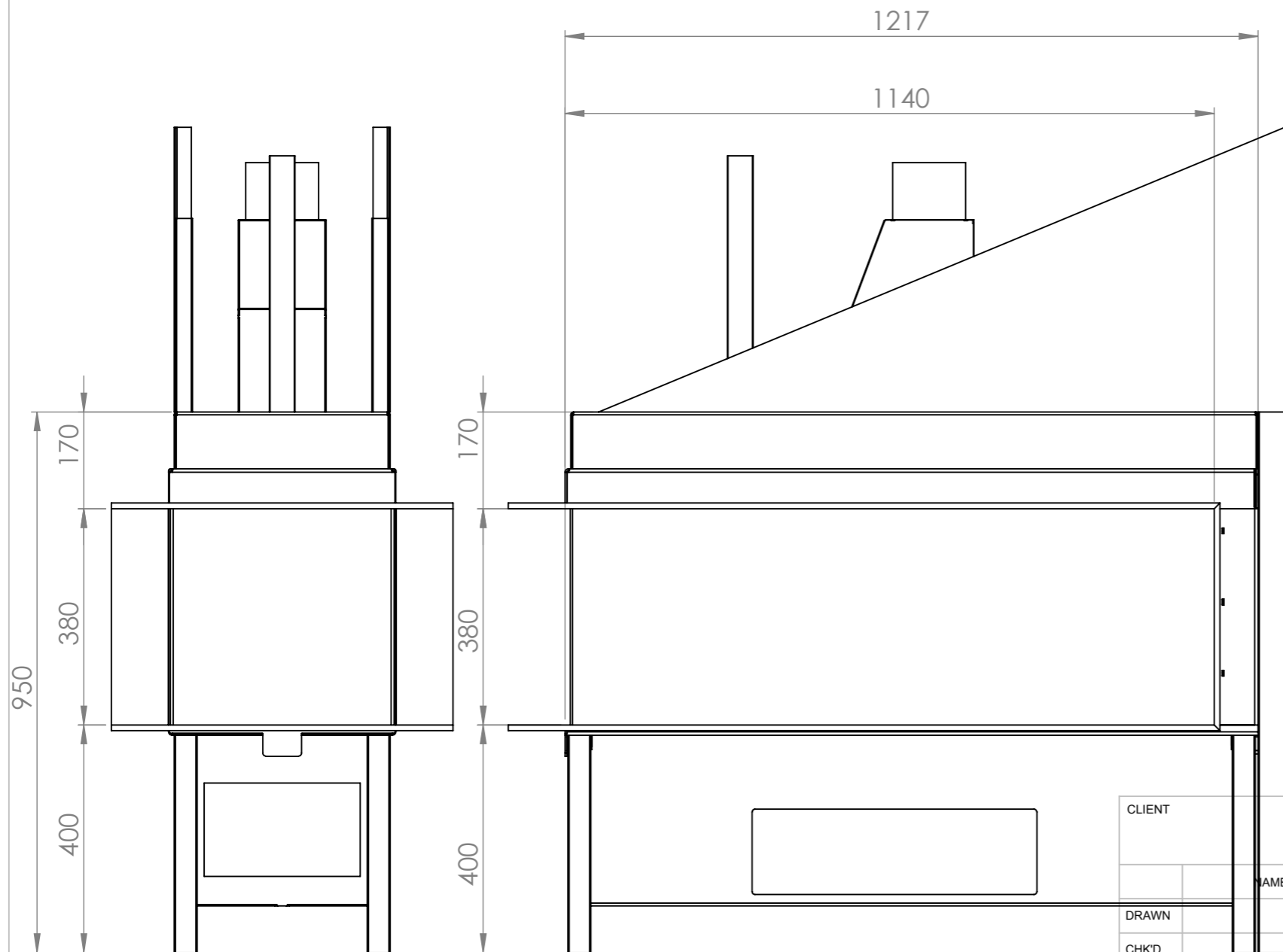
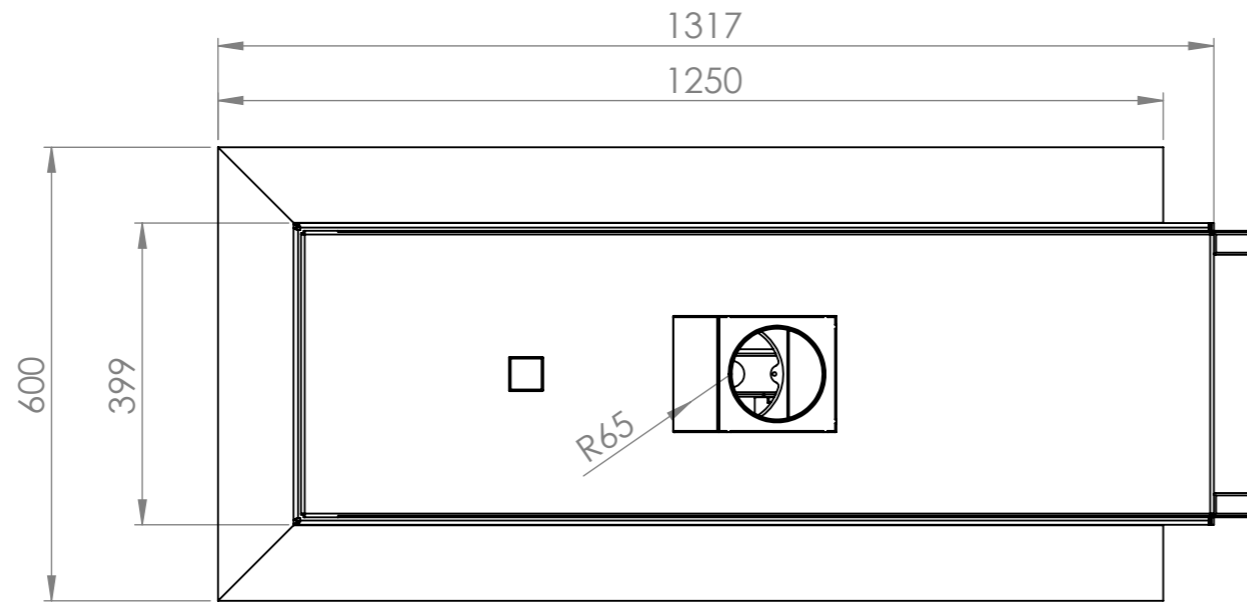

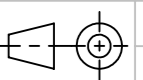


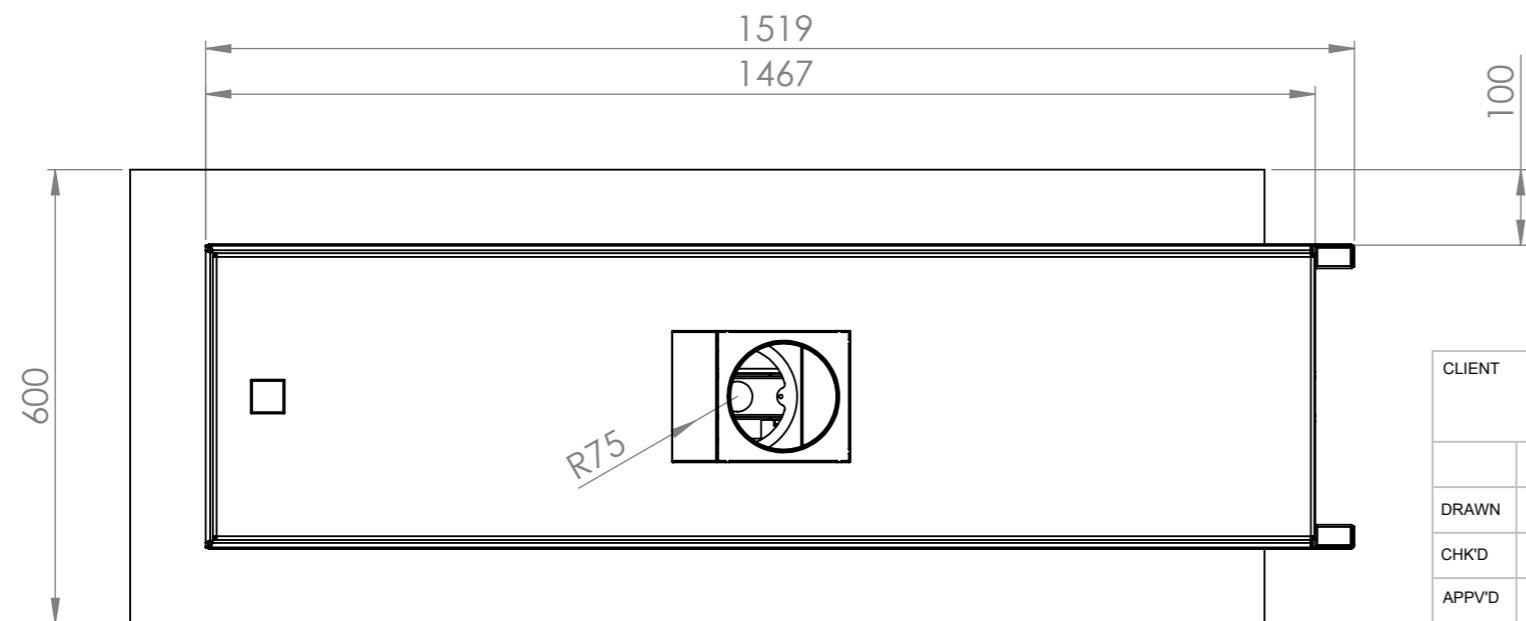
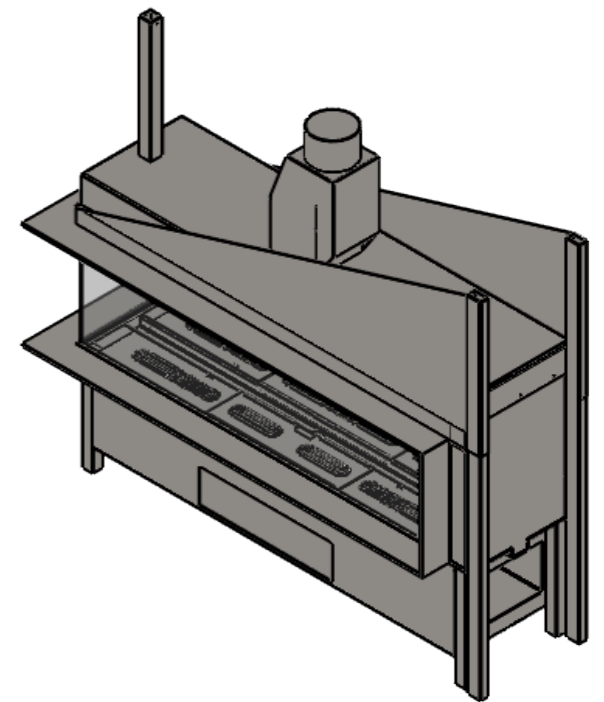
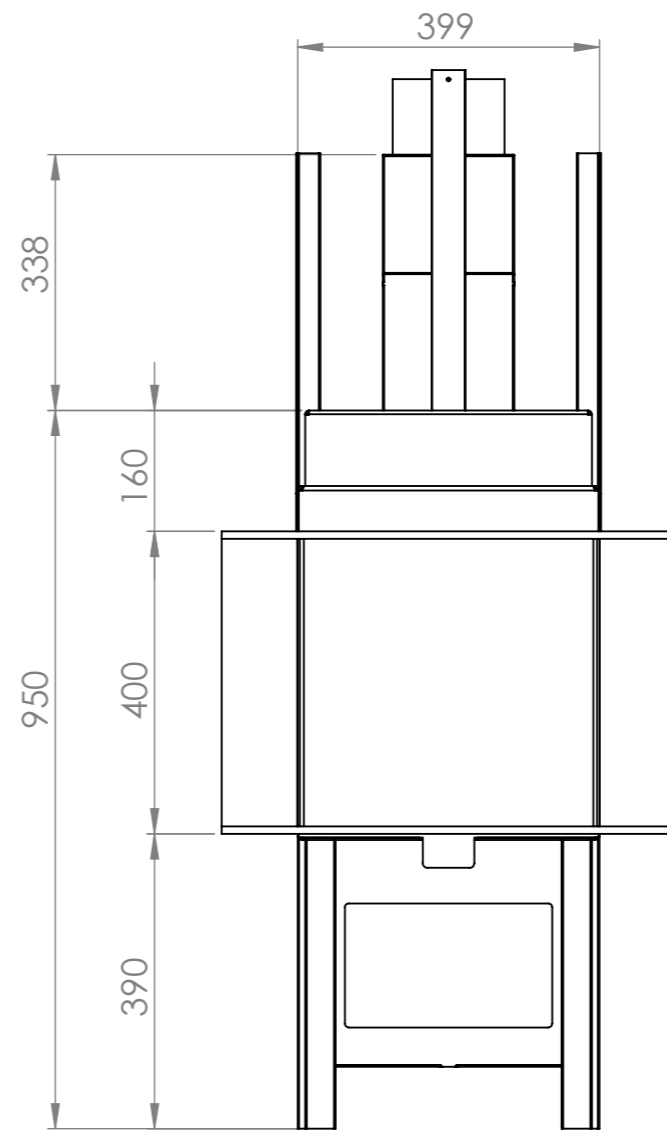
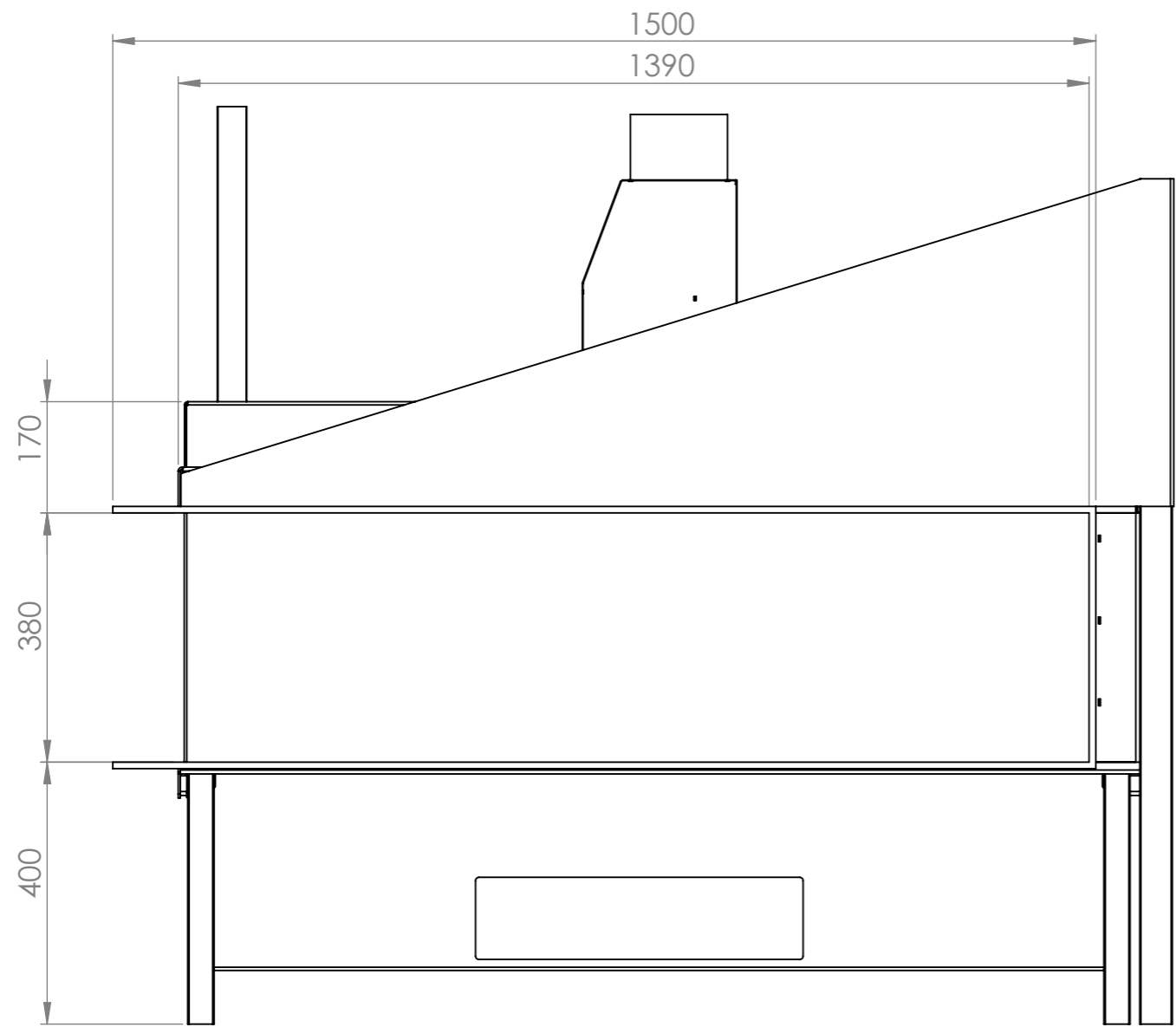
CLIENT				PROJECT Gala 2 Room divider C31 130/200 - Slime frame 100/10 Line burner		ALL RIGHTS RESERVED AND COPYRIGHTS BY	
				PART NUMBER GA2H3-B11-SLF		 Vero Design Zagerijstraat 23 B-2960 Sint-Job	
DRAWN	NAME	DATE 3/10/2019	SIGN	MATERIAL:	UNLESS OTHERWISE SPECIFIED: DIMENSIONS ARE IN MILLIMETERS TOLERANCES: ISO 2768 m K		DEBURR AND BREAK SHARP EDGES
CHK'D			WEIGHT:				A3
APPV'D			FINISH:	SCALE:1:10			
						DO NOT SCALE DRAWING	SHEET 1 OF 1



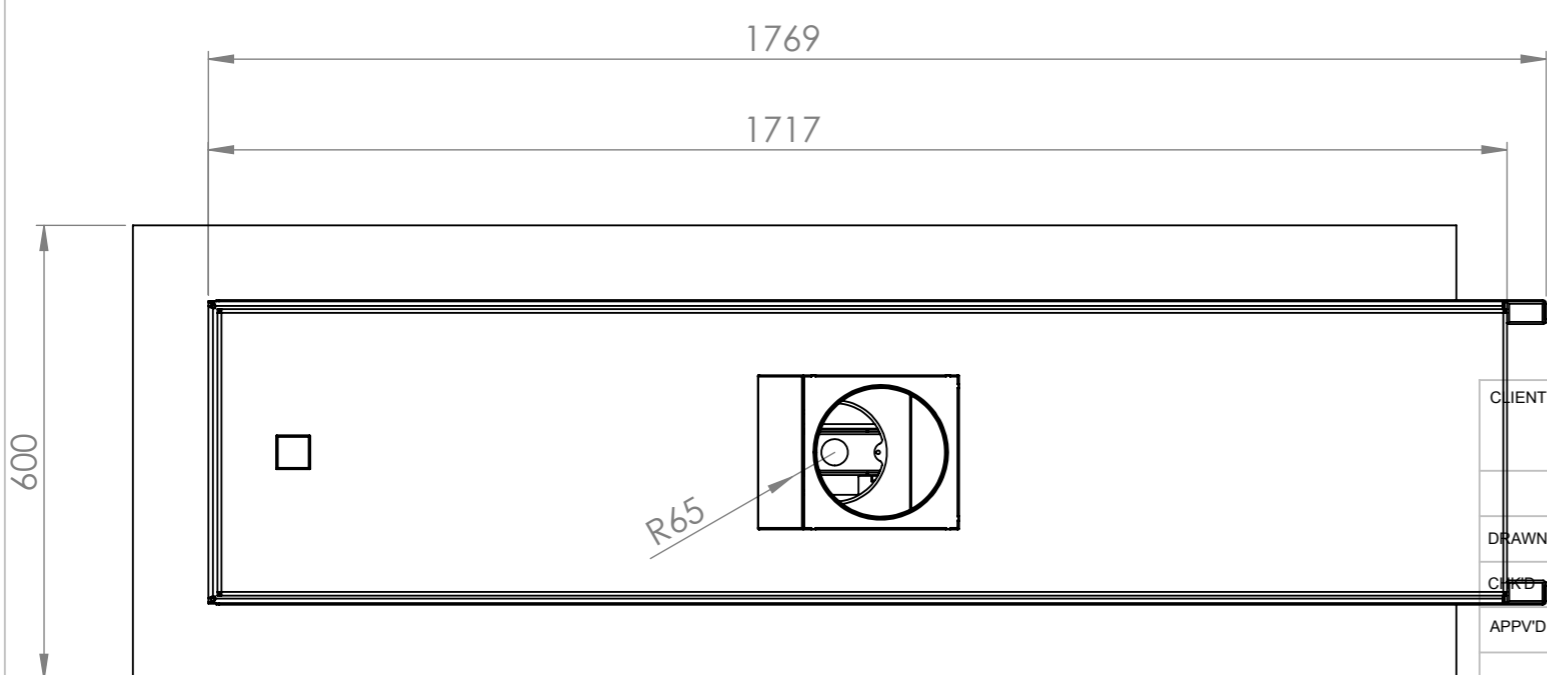
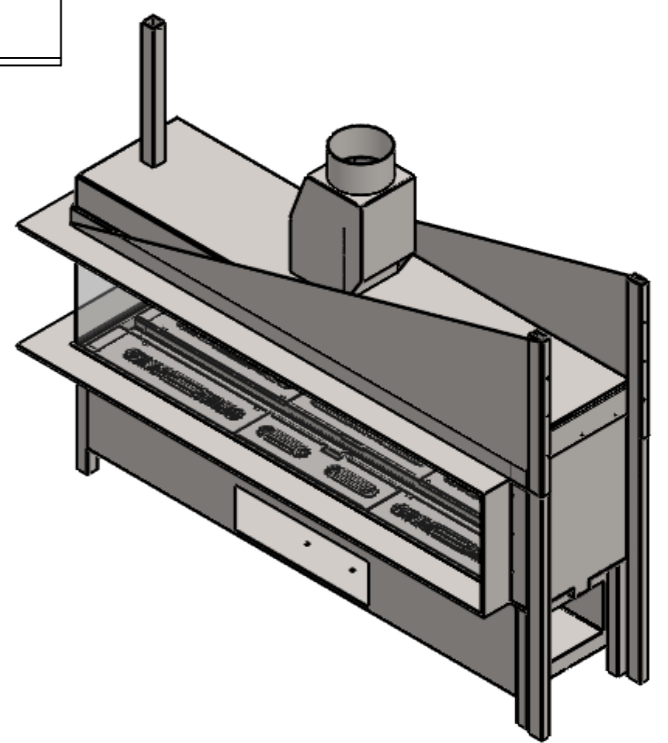
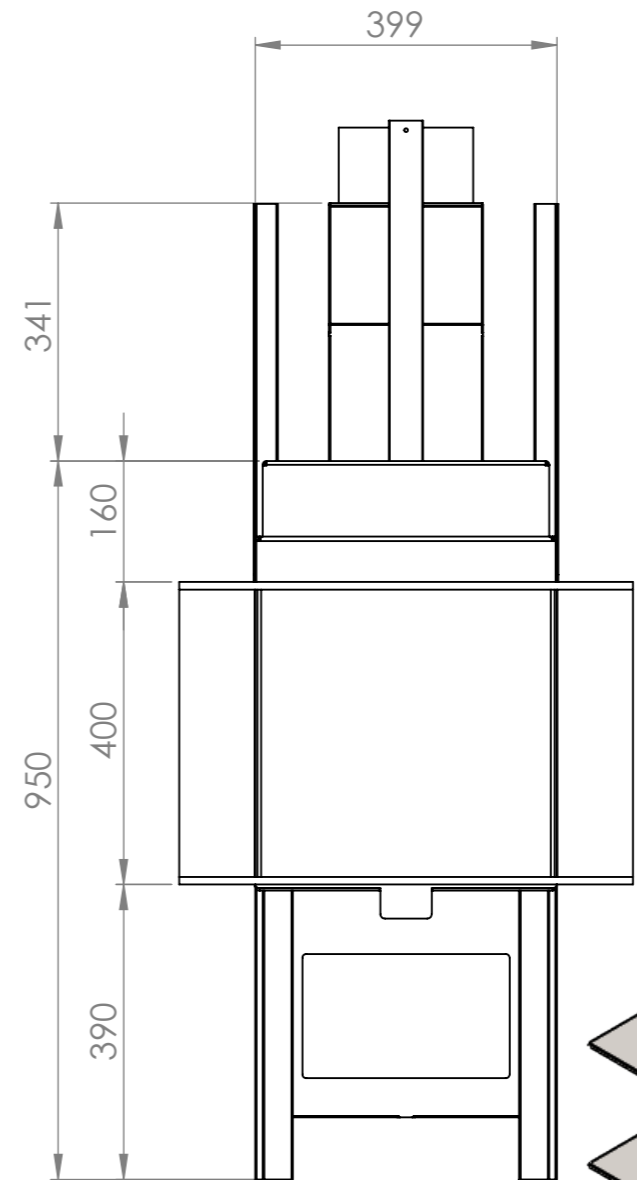
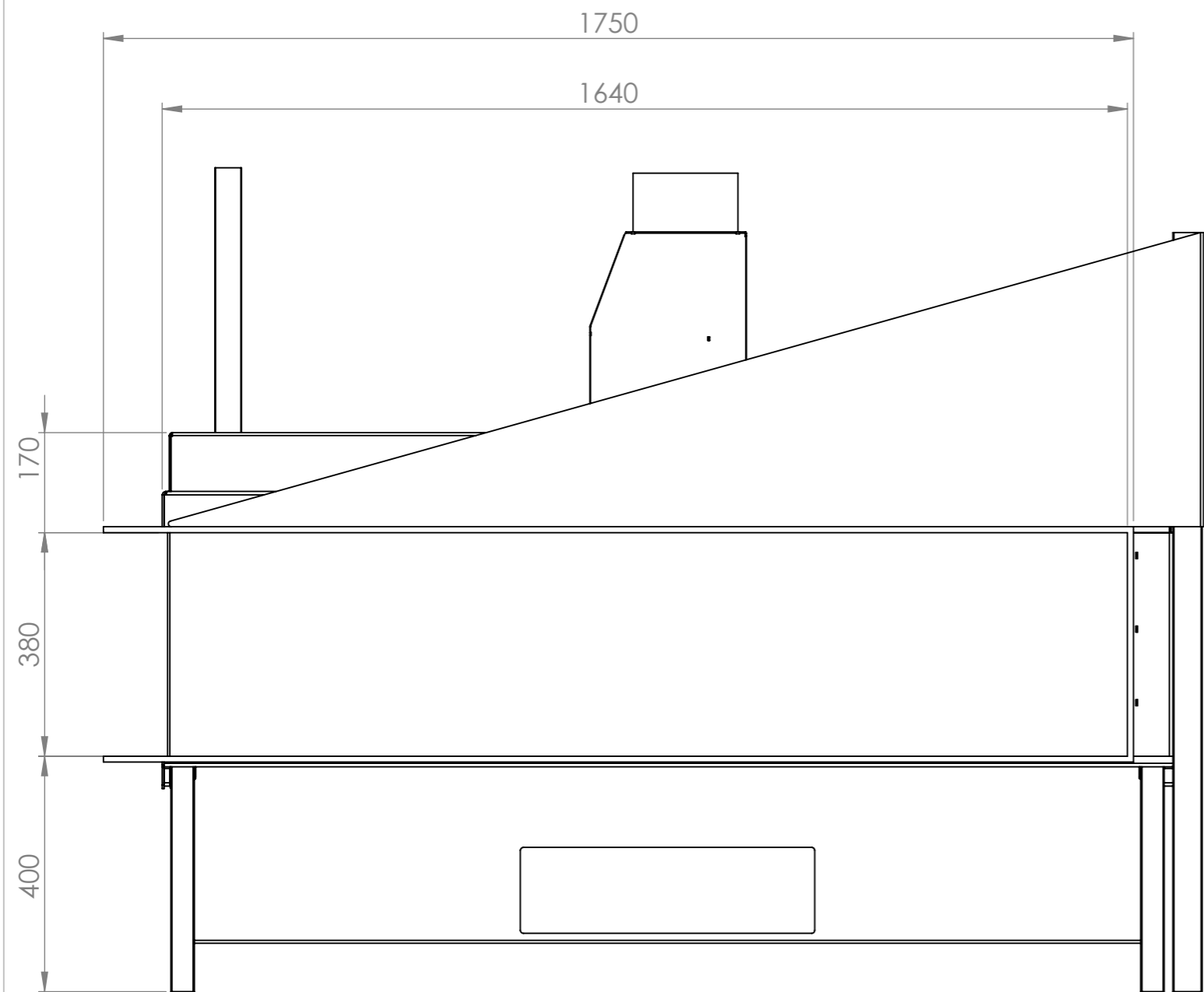
				GALA 3H3 - Room divider model Slim frame 100/10 - Line burner B11 - 130		ALL RIGHTS RESERVED AND COPYRIGHTS BY VERO DESIGN Vero Design Zagerijstraat 23 B-2960 Sint-Job	
	NAME	DATE	SIGN	GA3H3-SLF100-B11-NC		UNLESS OTHERWISE SPECIFIED: DIMENSIONS ARE IN MILLIMETERS TOLERANCES: ISO 2768 m K	DEBURR AND BREAK SHARP EDGES
DRAWN		01/2019		MATERIAL:			
CHK'D				WEIGHT:			
APPV'D				FINISH:			
						DO NOT SCALE DRAWING	A3 SCALE:1:10 SHEET 1 OF 1


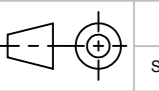


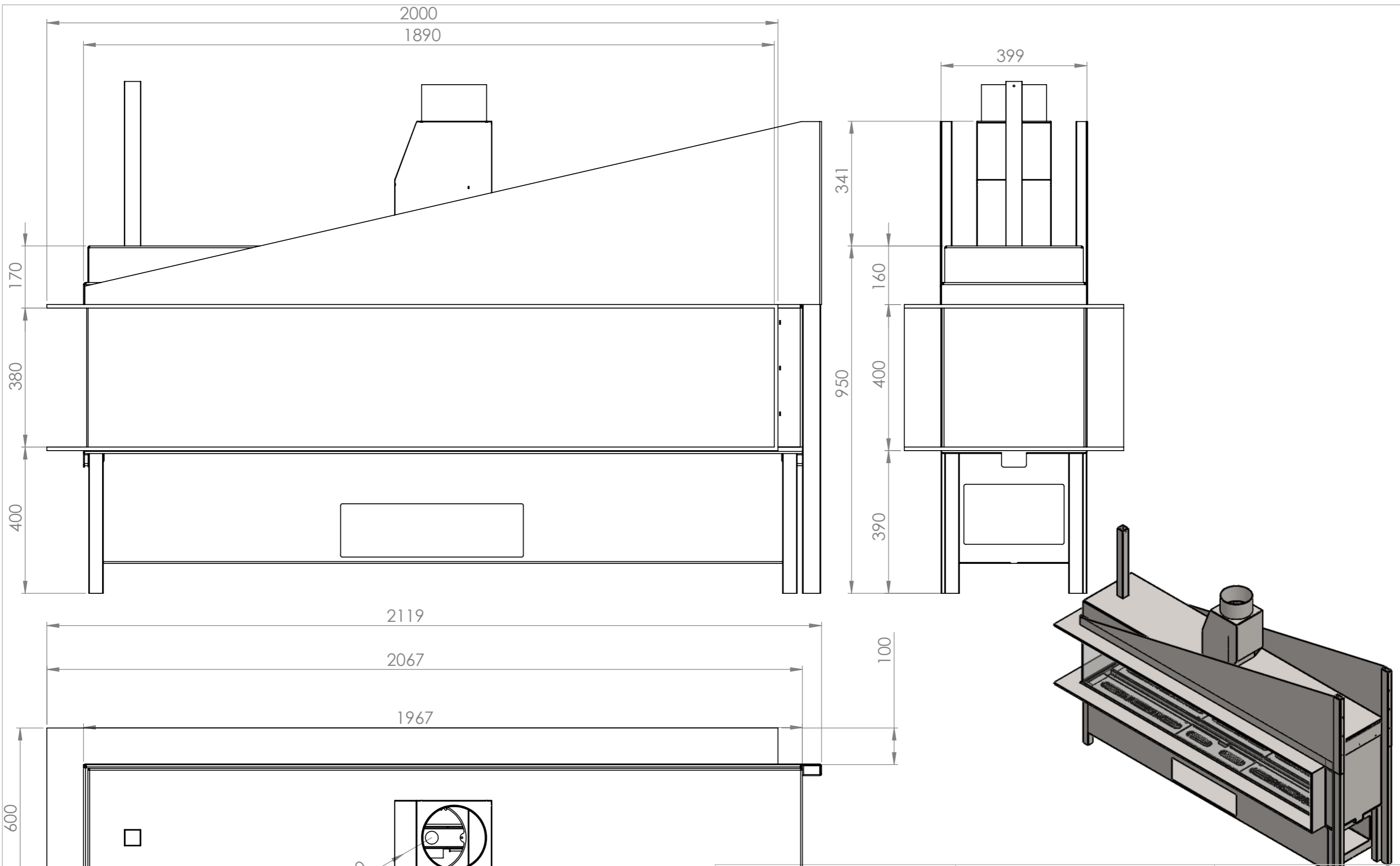
CLIENT				PROJECT GALA 4H3 - Room divider model Slim Frame 100 - Line Burner B11 - 130		ALL RIGHTS RESERVED AND COPYRIGHTS BY	
NAME				PART NUMBER GA4H3-B11-SLF		 Vero Design Zagerijstraat 23 B-2960 Sint-Job	
DRAWN				DATE 3/06/2019		UNLESS OTHERWISE SPECIFIED: DIMENSIONS ARE IN MILLIMETERS TOLERANCES: ISO 2768 m K	
CHK'D				SIGN		DEBURR AND BREAK SHARP EDGES	
APPV'D				MATERIAL:			
				WEIGHT:		A3 SCALE:1:10	
				FINISH:		DO NOT SCALE DRAWING SHEET 1 OF 1	



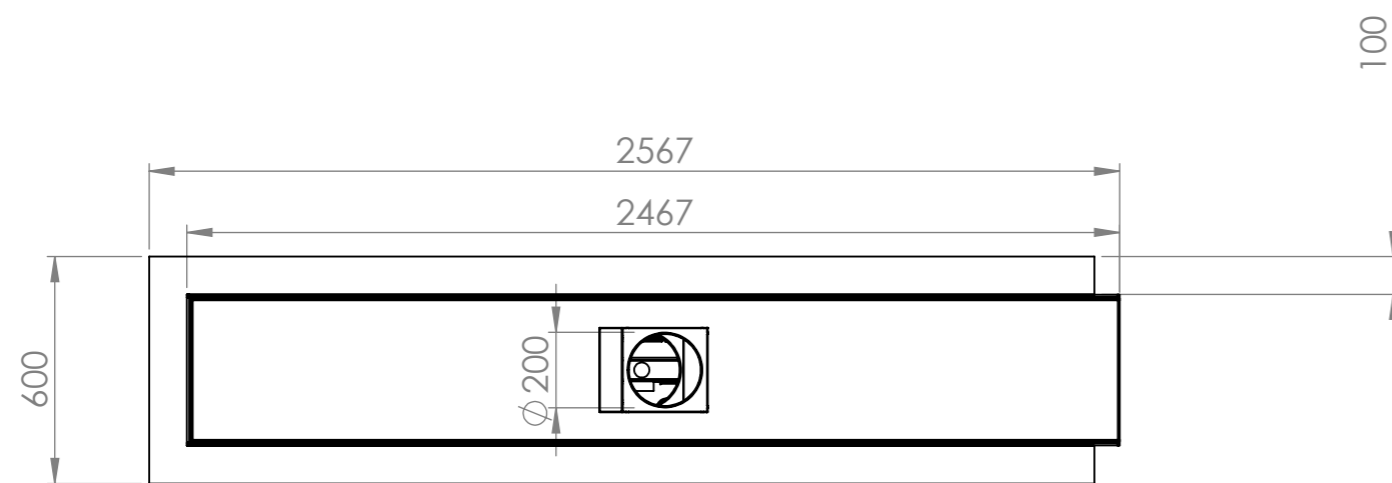
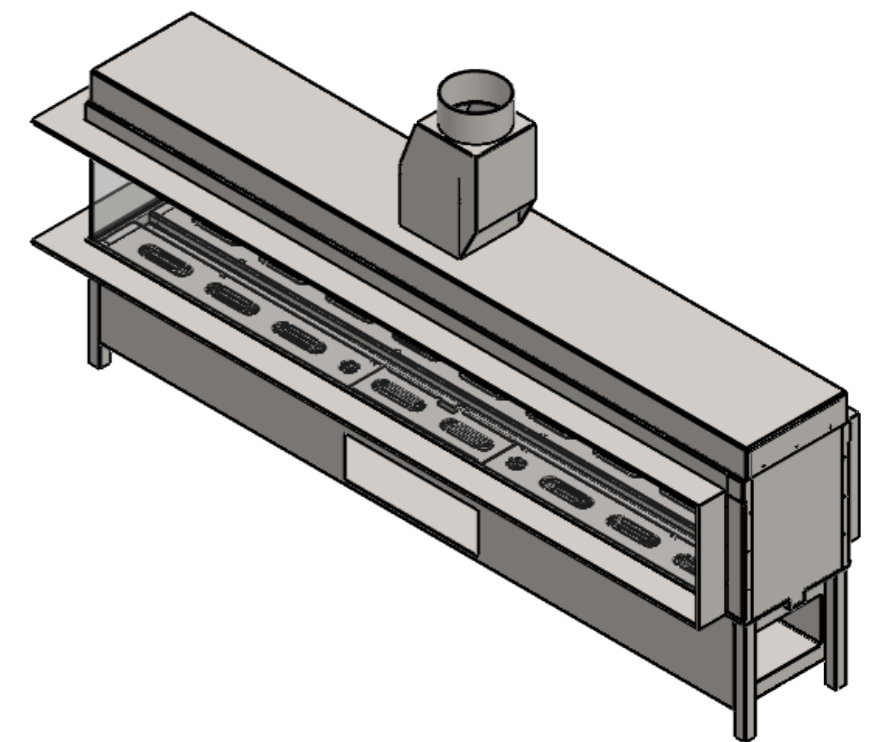
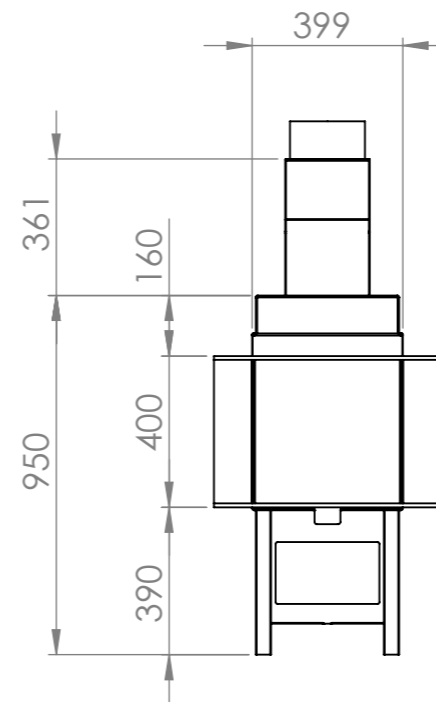
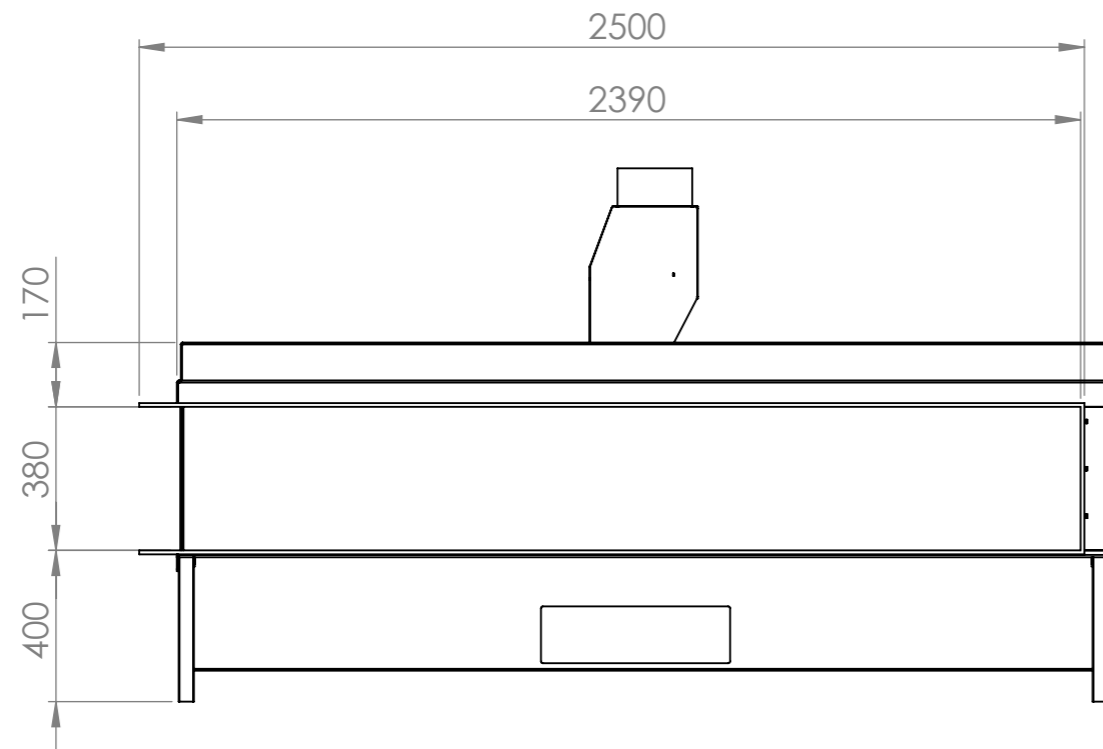
CLIENT				PROJECT		Gala 5 Room divider B11 150 - Slim frame 100/10 Line burner		ALL RIGHTS RESERVED AND COPYRIGHTS BY	
DRAWN				NAME		DATE		VERO DESIGN	
CHK'D				SIGN		3/10/2019		Vero Design	
APPV'D				PART NUMBER		GA5H3-B11-SLF		Zagerijstraat 23	
				MATERIAL:		UNLESS OTHERWISE SPECIFIED: DIMENSIONS ARE IN MILLIMETERS TOLERANCES: ISO 2768 m K		B-2960 Sint-Job	
				WEIGHT:				DEBURR AND BREAK SHARP EDGES	
				FINISH:				A3	
								SCALE:1:10	
								DO NOT SCALE DRAWING	
								SHEET 1 OF 1	





CLIENT				PROJECT Gala 6 Room divider B11 180 - Slim frame 100/10 Line burner		ALL RIGHTS RESERVED AND COPYRIGHTS BY	
				PART NUMBER GA6H3-B11-SLF		 Vero Design Zagerijstraat 23 B-2960 Sint-Job	
DRAWN	NAME	DATE	SIGN	MATERIAL:		UNLESS OTHERWISE SPECIFIED: DIMENSIONS ARE IN MILLIMETERS TOLERANCES: ISO 2768 m K	DEBURR AND BREAK SHARP EDGES
CHK'D		3/10/2019		WEIGHT:			
APPV'D				FINISH:			
							A3 SCALE:1:10
						DO NOT SCALE DRAWING	SHEET 1 OF 1



CLIENT		PROJECT		Gala 7 Room divider B11 130 - Slime frame 100/10 Line burner		ALL RIGHTS RESERVED AND COPYRIGHTS BY	
DRAWN		DATE		PART NUMBER		VERO DESIGN	
NAME		3/10/2019		GA7H3-B11-SLF		Vero Design Zagerijstraat 23 B-2960 Sint-Job	
CHK'D		MATERIAL:		UNLESS OTHERWISE SPECIFIED: DIMENSIONS ARE IN MILLIMETERS TOLERANCES: ISO 2768 m K		DEBURR AND BREAK SHARP EDGES	
APPV'D		WEIGHT:		FINISH:			
						A3 SCALE:1:10	
						DO NOT SCALE DRAWING SHEET 1 OF 1	



CLIENT				PROJECT		Gala 8 Room divider B11 200 - Slim frame 100/10 Line burner		ALL RIGHTS RESERVED AND COPYRIGHTS BY		
				PART NUMBER				 Vero Design Zagerijstraat 23 B-2960 Sint-Job		
DRAWN	Davy D'Hollander	DATE	9/10/2018	SIGN		MATERIAL:	UNLESS OTHERWISE SPECIFIED: DIMENSIONS ARE IN MILLIMETERS TOLERANCES: ISO 2768 m K	DEBURR AND BREAK SHARP EDGES		A3
CHK'D						WEIGHT:				SCALE:1:20
APPV'D						FINISH:				SHEET 1 OF 1
								DO NOT SCALE DRAWING		